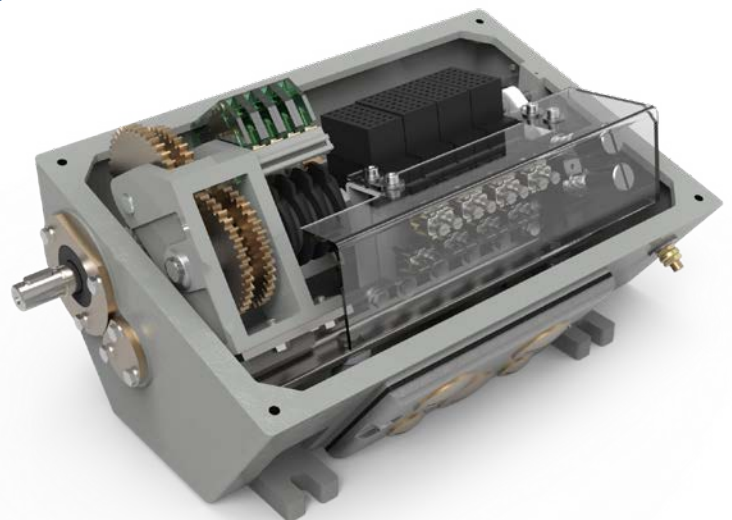




SERIES 62
GEARED CAM LIMIT SWITCHES



Stromag

Founded in 1932, Stromag has grown to become a globally recognized leader in the development and manufacture of innovative power transmission components for industrial drivetrain applications. Stromag engineers utilize the latest design technologies and materials to provide creative, energy-efficient solutions that meet their customer's most challenging requirements.

Stromag's extensive product range includes flexible couplings, disc brakes, limit switches, an array of hydraulically, pneumatically, and electrically actuated brakes, and a complete line of electric, hydraulic and pneumatic clutches.

Stromag engineered solutions improve drivetrain performance in a variety of key markets including energy, off-highway, metals, marine, transportation, printing, textiles, and material handling on applications such as wind turbines, conveyor systems, rolling mills, agriculture and construction machinery, municipal vehicles, forklifts, cranes, presses, deck winches, diesel engines, gensets and stage machinery.



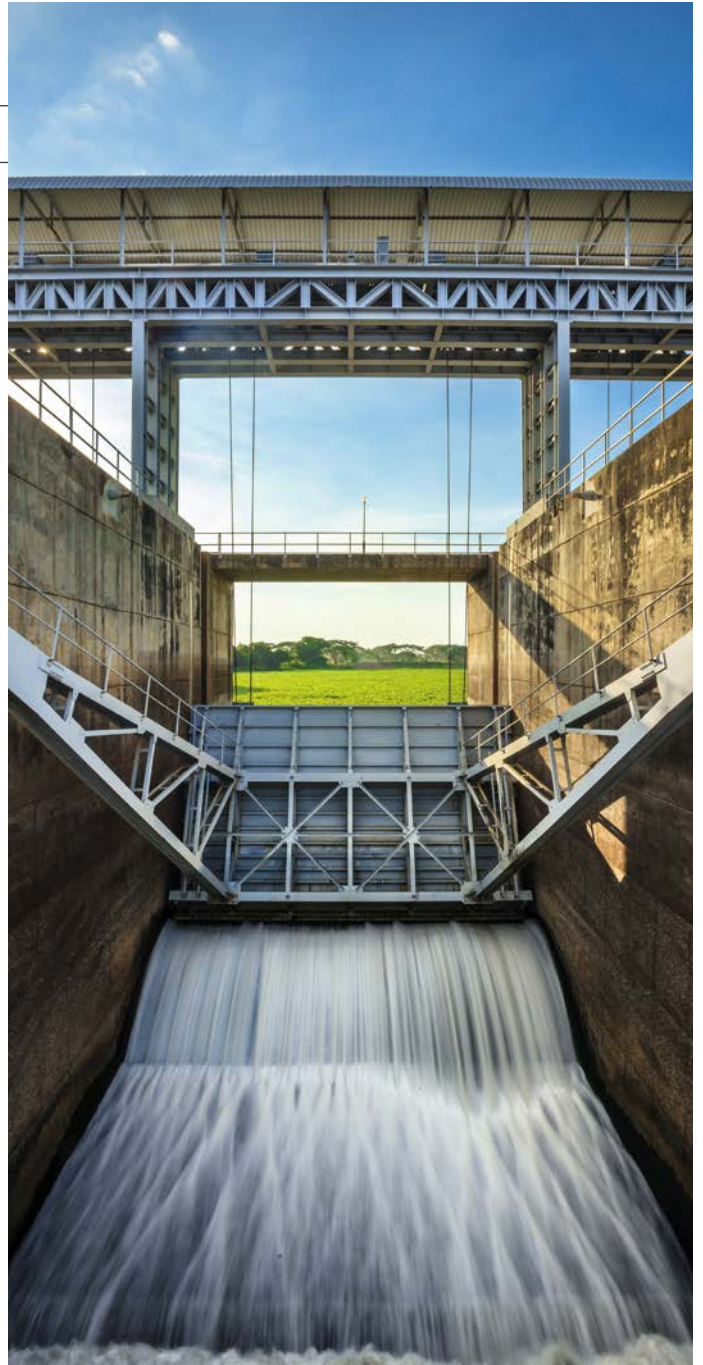
CONTENT

Catalog Serie 62: VI

At a Glance	04
Series 62 SNE – Basic Design Spindle Gear Switch	05
Series 62 SNE– Housing Sizes 2 / 3	06
Series 62 SNE– Housing Size 4	07
Series 62 SNE – Drive Flanges	08
Series 62 HNE – Basic Design Lever Switch	09
Series 62 HNE – Housing Size 1	10
Series 62 HNE – Housing Size 2	11
Series 62 HNE – Available Levers	12
Series 62 GNE – Basic Design Counterweight Switch	13
Series 62 GNE – Housing size 1	14
Series 62 – Main Current Switches	15
Series 62 – Option: Fixed Control Switches	16
Series 62 – Option: Adjustable Control Switches (SNE only)	17
Series 62 - Control Current Switches	18
Series 62 – Contact Arrangement	19
Series 62 – Anti-Condensation-Heating	20
Series 62 – Key Of Types	21

Stromag Geared Cam Limit Switches

AT A GLANCE



STROMAG SERIES 62

BENEFITS INCLUDE

- Direct switch of three phase motors
- Contacts for 40 Amps

Stromag Geared Cam Limit Switches

Limit Switches Main Current

Series 62 SNE – Basic Design Spindle Gear Switch

Revision number: 3.2.1.1-02

Revision date: 03.07.2023

Features

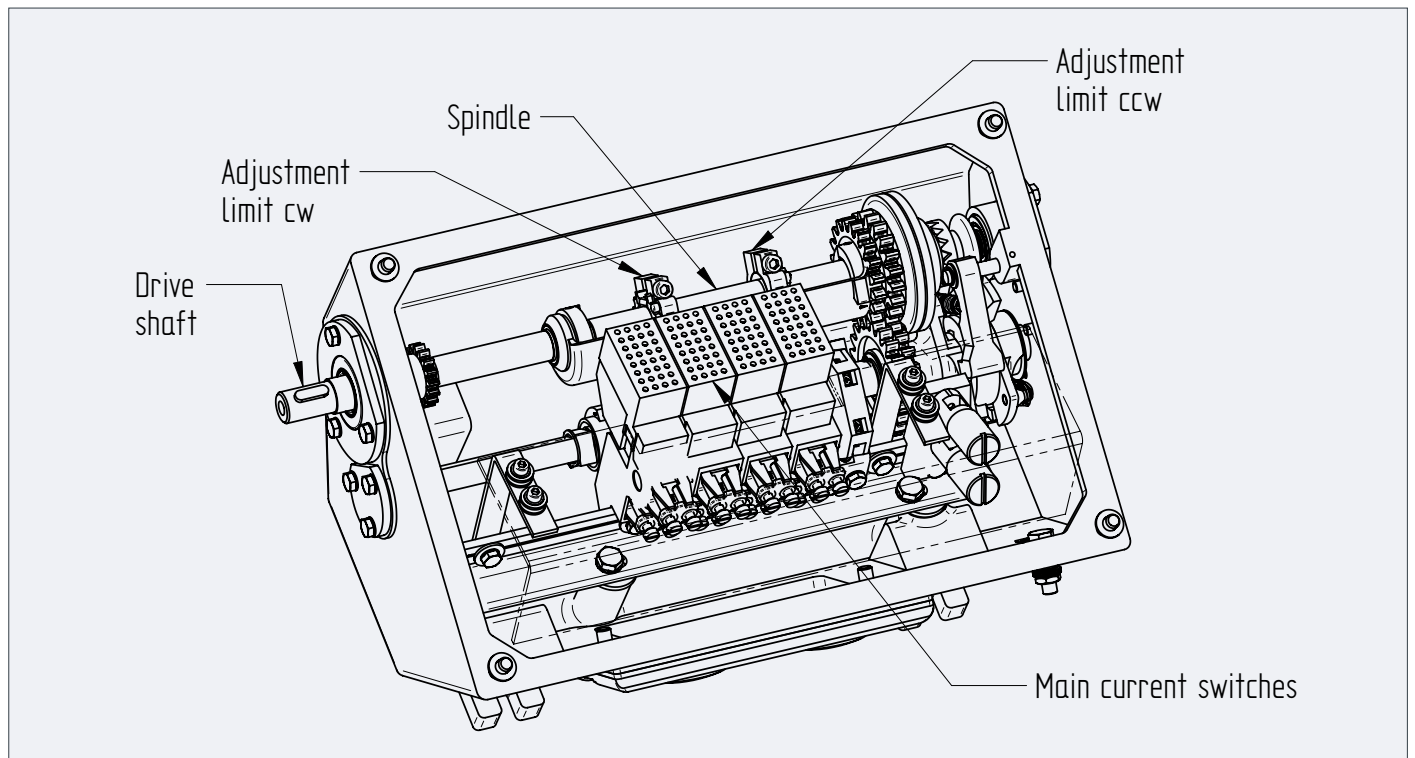
- Main current limit switch for direct switching of three phase-motors
- For 42 and 62 usable revolutions
- Main current contacts for 40 A permanent available

Application

- Steel plants and barrages

Additional information

- Also available in combination with installed auxiliary current contacts



Housing size without control switches			
Housing size	Max. rev range	Main current switches	
		Max. No.	Type
2	42	2 ... 8	11
3	62	2 ... 10	11

Housing size with fixed control switches				
Housing size	Max. rev range	Main current switches		Max. no. aux. switches
		Max. No.	Type	
2	42	2 ... 4	11	4
2	42	5 ... 6	11	2
3	62	2 ... 6	11	4
3	62	6 ... 8	11	2
4	62	7 ... 8	11	4

Housing size with fixed control switches				
Housing size	Max. rev range	Main current switches		Max. no. aux. switches
		Max. No.	Type	
2	42	2 ... 3	11	2
3	62	2 ... 3	11	4
3	62	4	11	2
4	62	4 ... 6	11	4
4	62	7 ... 8	11	2

Stromag Geared Cam Limit Switches

Limit Switches Main Current

Series 62 SNE – Housing Sizes 2 / 3

Revision number: 3.2.1.2-01

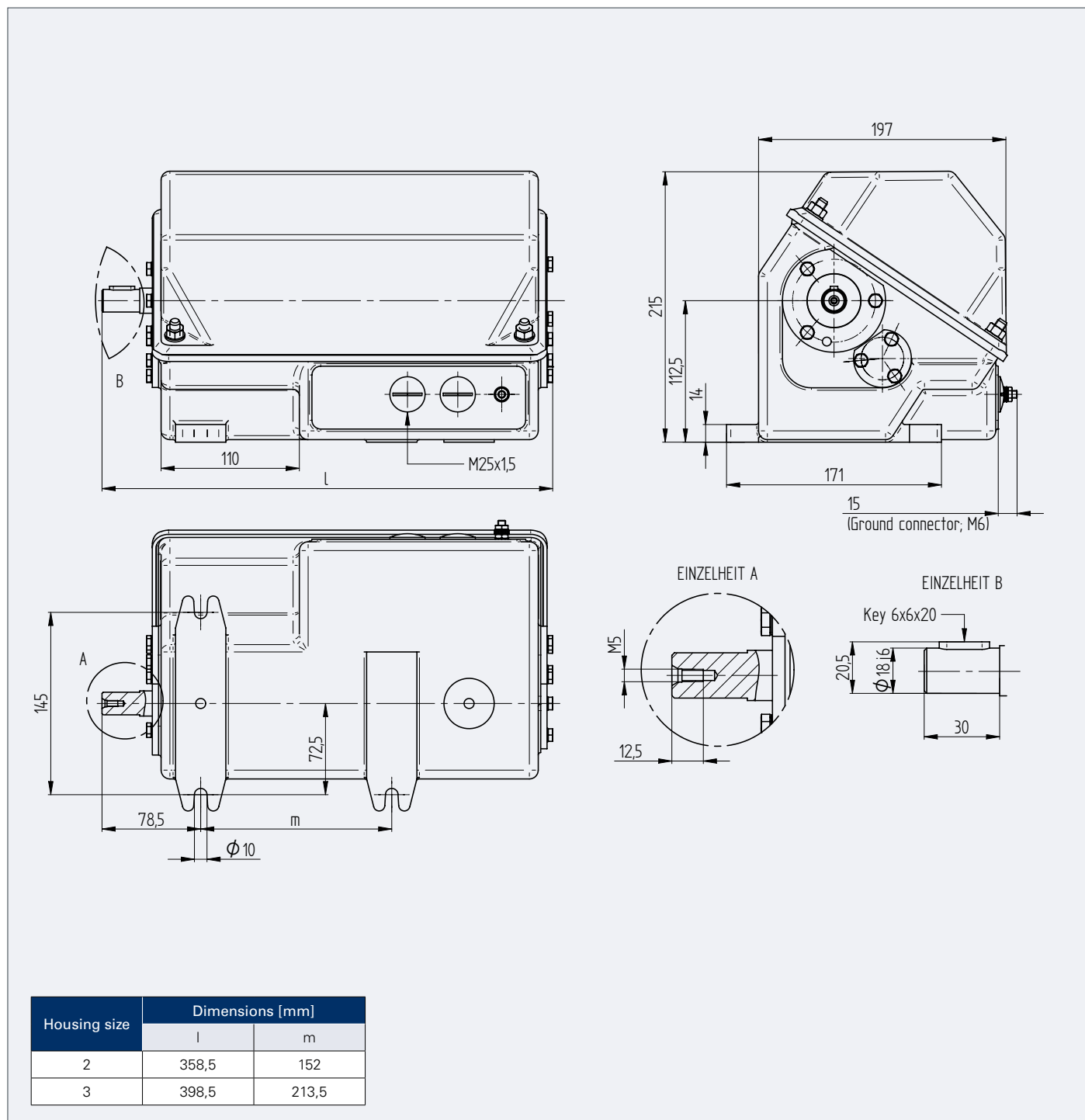
Revision date: 19.11.2019

Features

- Housings in the size 2 and 3 made of aluminum protection rate IP65

Additional information

- Made of sea water resistant aluminum



Stromag Geared Cam Limit Switches

Limit Switches Main Current

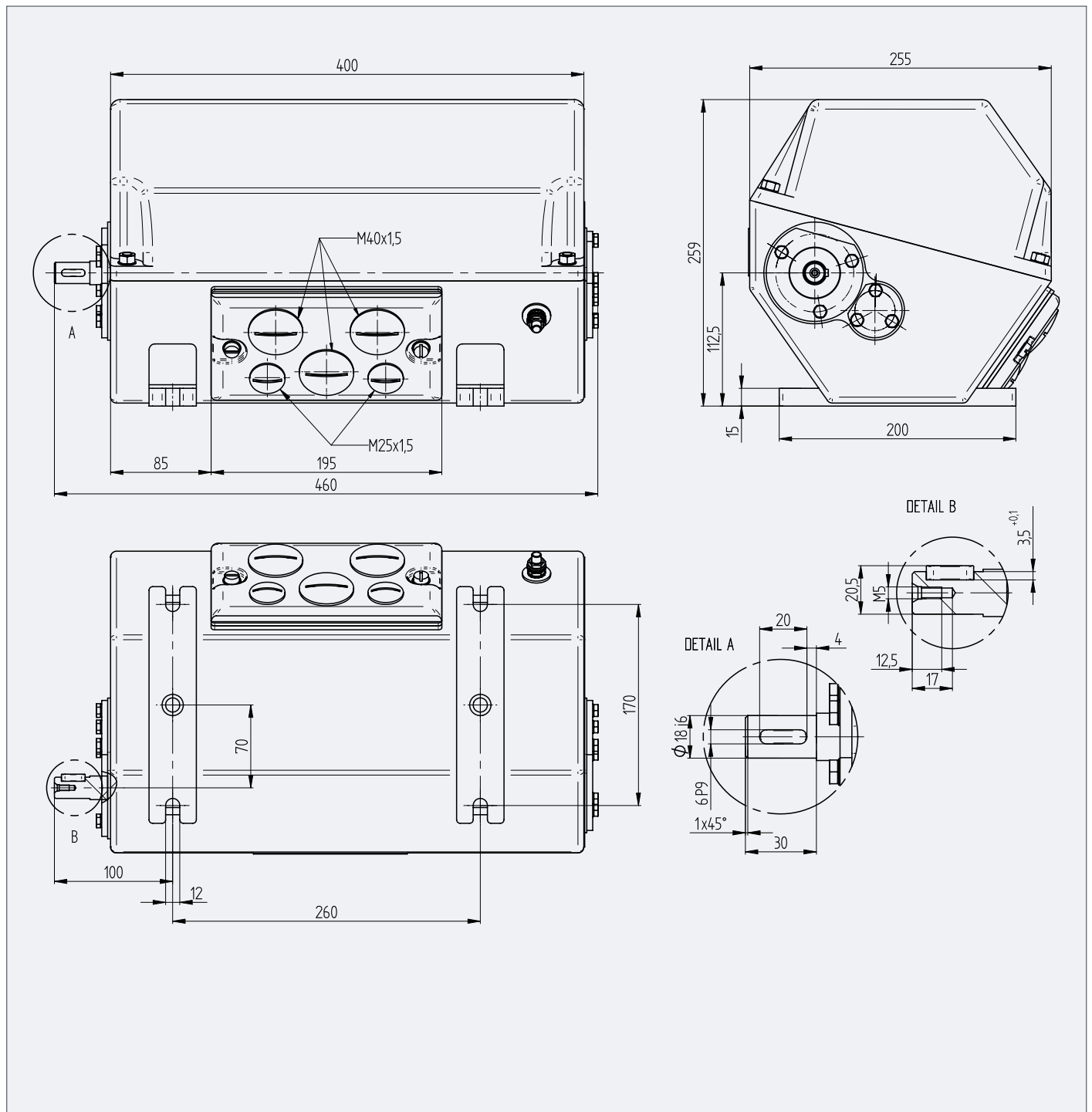
Series 62 SNE – Housing Size 4

Revision number: 3.2.1.3-01

Revision date: 19.11.2019

Features

- Housing size 4 made of cast iron
protection rate IP54



Stromag Geared Cam Limit Switches

Limit Switches Main Current

Series 62 SNE – Drive Flanges

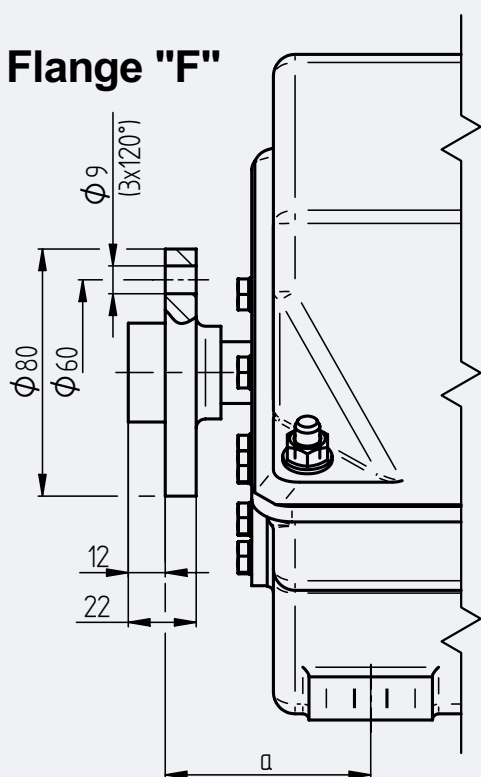
Revision number: 3.2.1.4-01

Revision date: 19.11.2019

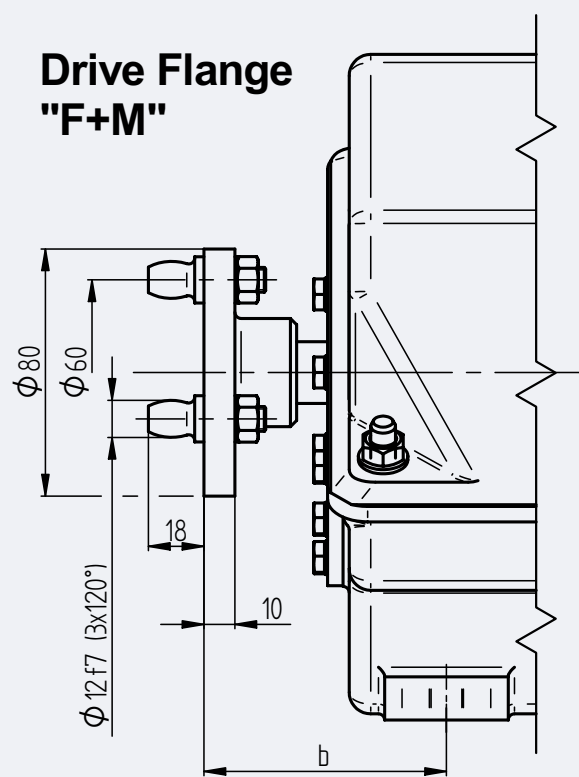
Features

- Drive flanges F and F+M on request

Drive Flange "F"



Drive Flange "F+M"



Housing size	Dimensions [mm]		
	a	b	c
2	66,5	78,5	118,5
3	66,5	78,5	118,5
4	88	100	140

Series 62 HNE – Basic Design Lever Switch

Revision number: 3.2.1.5-01

Revision date: 19.11.2019

Features

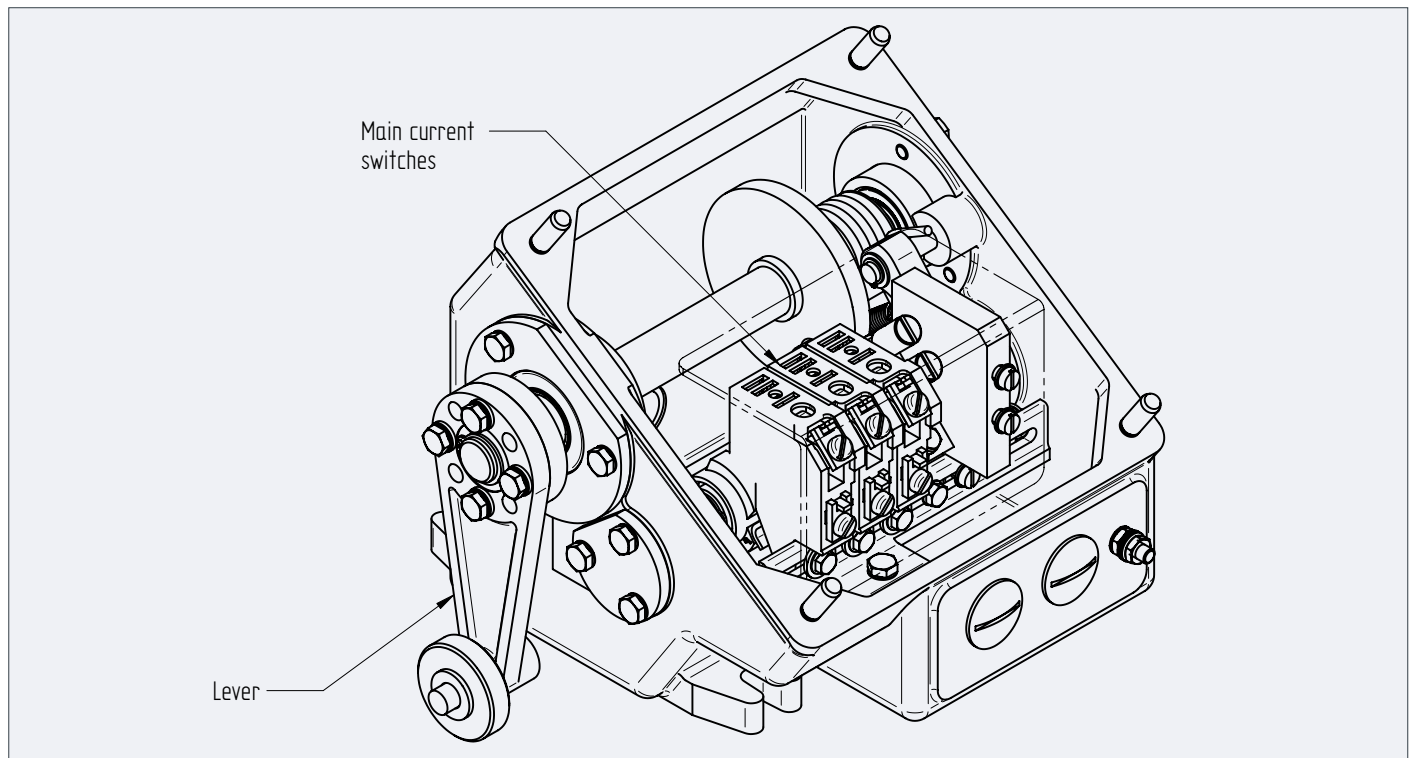
- Main current limit switch for direct switching of three phase-motors
- Main current contacts for 40 A permanent available

Application

- Steel plants and barrages

Additional information

- Also available in combination with installed auxiliary current contacts



Housing size without control switches		
Housing size	Main current switches	
	Max. No.	Type
1	2 ... 4	11
2	2 ... 6	11

Housing size with fixed control switches			
Housing size	Main current switches		Max. no. aux. switches
	Max. No.	Type	
1	2	11	2
2	2 ... 6	11	2

Stromag Geared Cam Limit Switches

Limit Switches Main Current

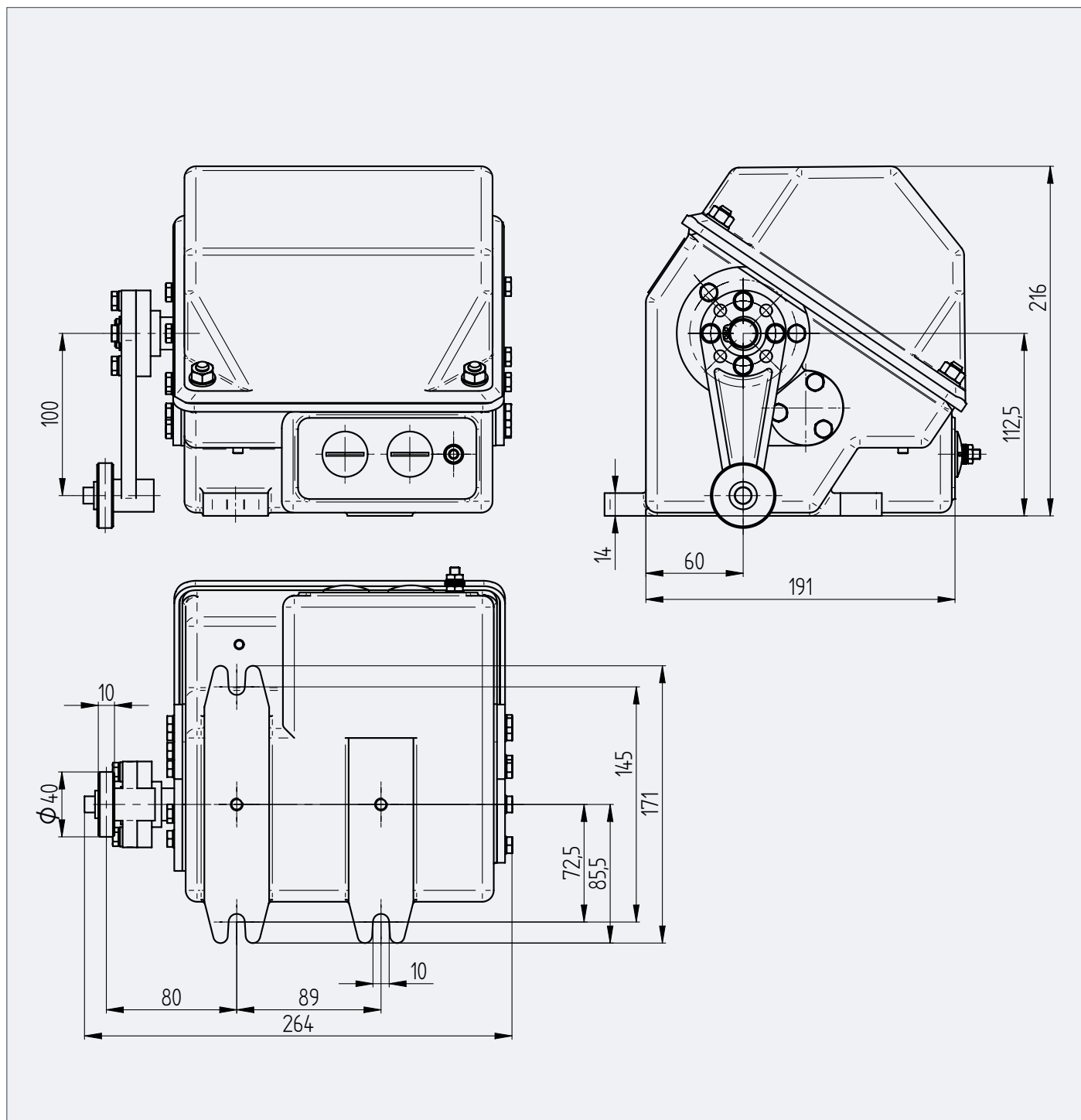
Series 62 HNE – Housing Size 1

Revision number: 3.2.1.6-01

Revision date: 19.11.2019

Features

- Housings in the size 1 and 2 made of aluminum, protection rate IP65



Stromag Geared Cam Limit Switches

Limit Switches Main Current

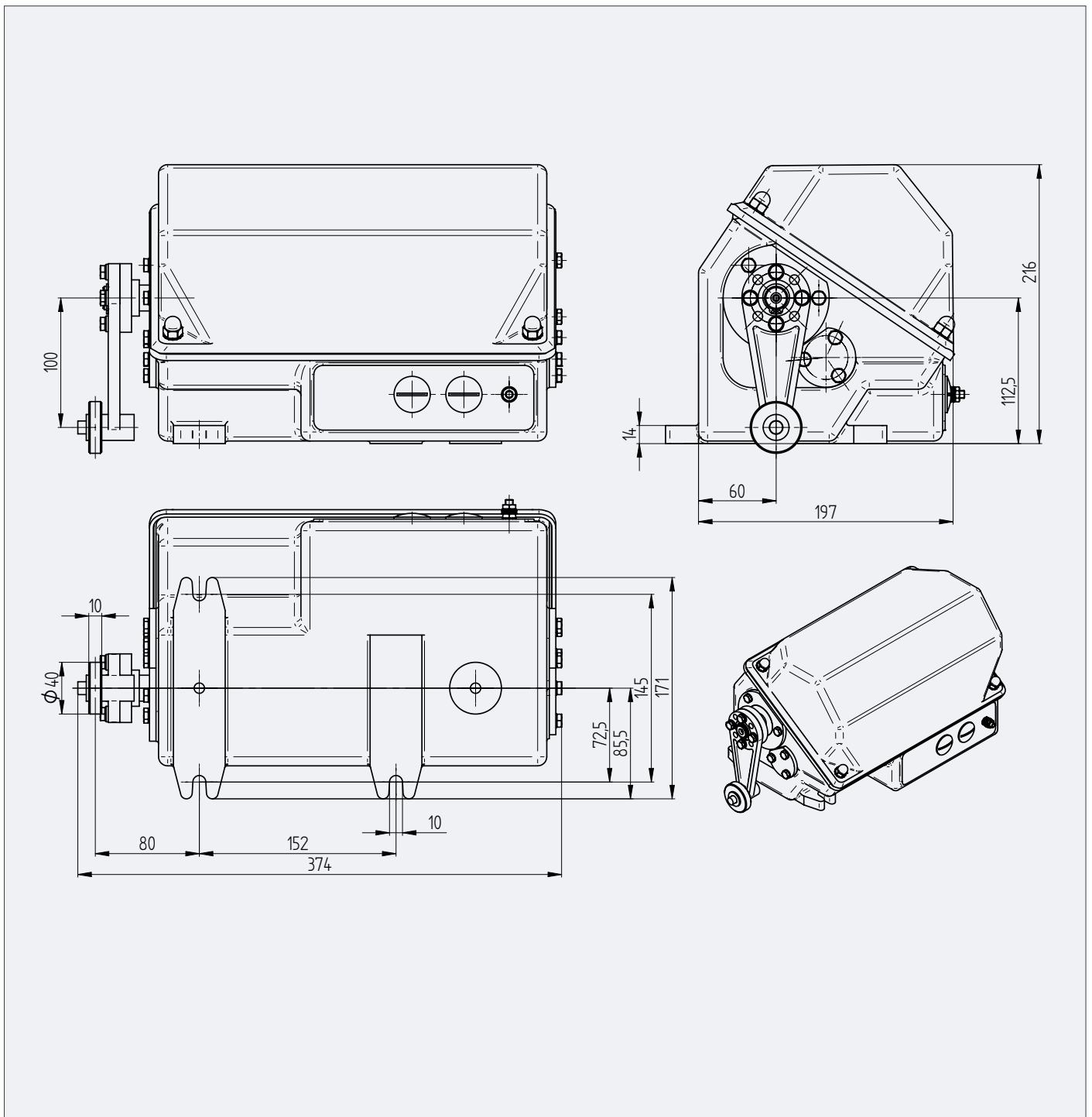
Series 62 HNE – Housing Size 2

Revision number: 3.2.1.7-01

Revision date: 19.11.2019

Features

- Housings in the size 1 and 2 made of aluminum, protection rate IP65



Stromag Geared Cam Limit Switches

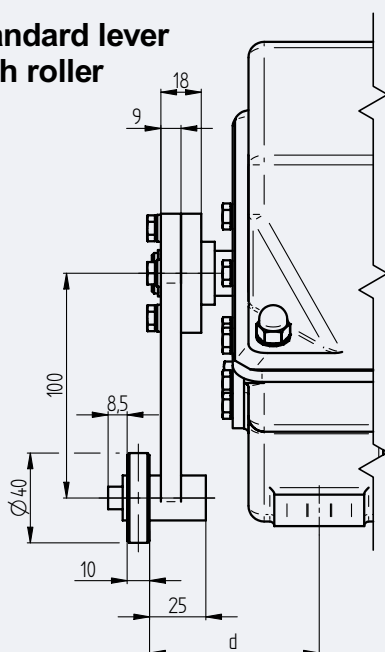
Limit Switches Main Current

Series 62 HNE – Available Levers

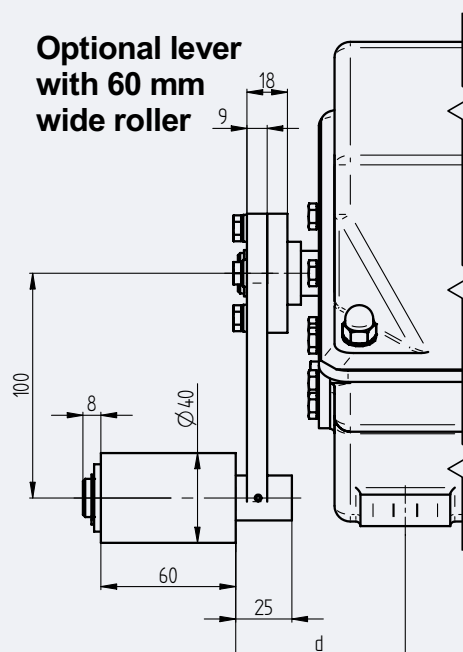
Revision number: 3.2.1.8-01

Revision date: 19.11.2019

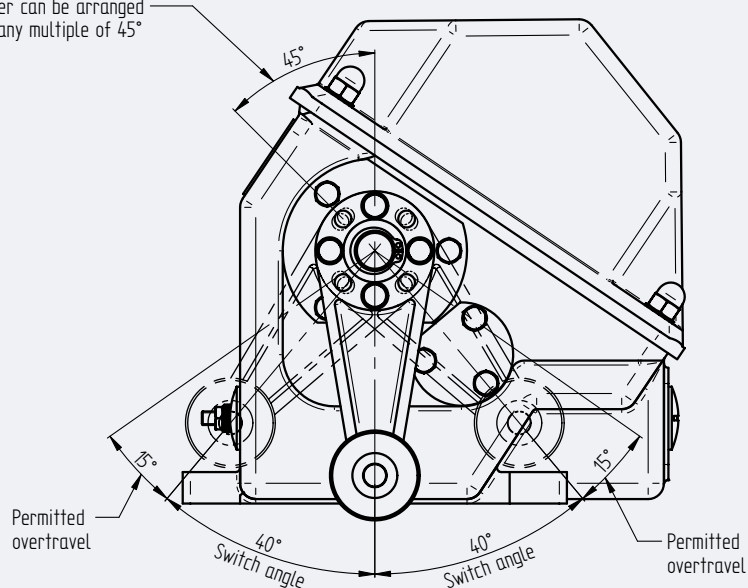
Standard lever with roller



Optional lever with 60 mm wide roller



Lever can be arranged at any multiple of 45°



Housing size	Dimension [mm] d
1	75
2	75

Stromag Geared Cam Limit Switches

Limit Switches Main Current

Series 62 GNE – Basic Design Counterweight Switch

Revision number: 3.2.1.9-01

Revision date: 19.11.2019

Features

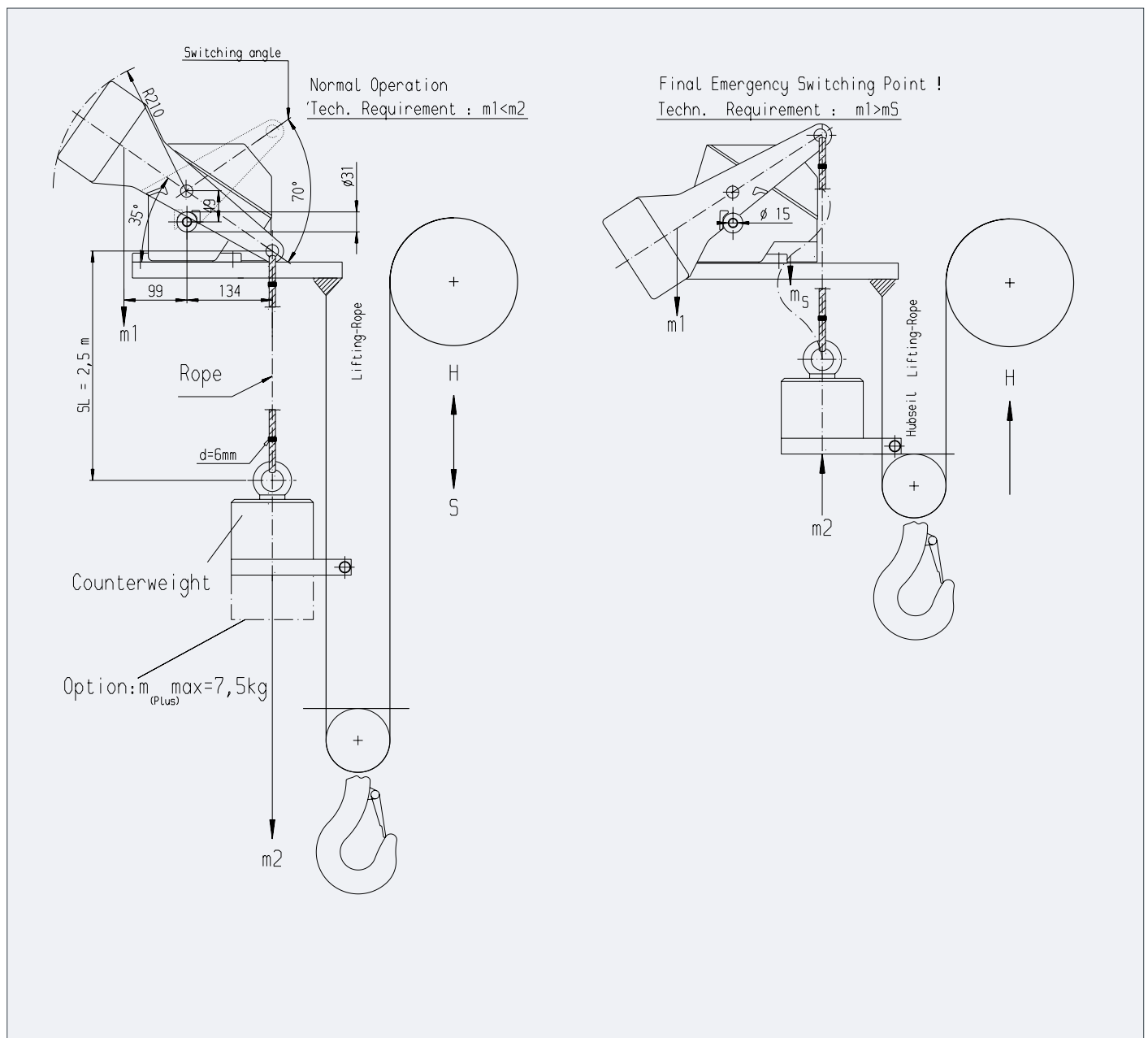
- Main current limit switch for direct switching of three phase-motors
- Main current contacts for 40 A permanent available

Application

- Steel plants

Additional information

- For the upper position of the hook, additionally to the geared cam limit switch at the drum, for diversity and redundancy



Housing size without control switches		
Housing size	Main current switches	
	Max. No.	Type
1	2 ... 4	11

Housing size with fixed control switches			
Housing size	Main current switches		Max. no. aux. switches
	Max. No.	Type	
1	2	11	2

Stromag Geared Cam Limit Switches

Limit Switches Main Current

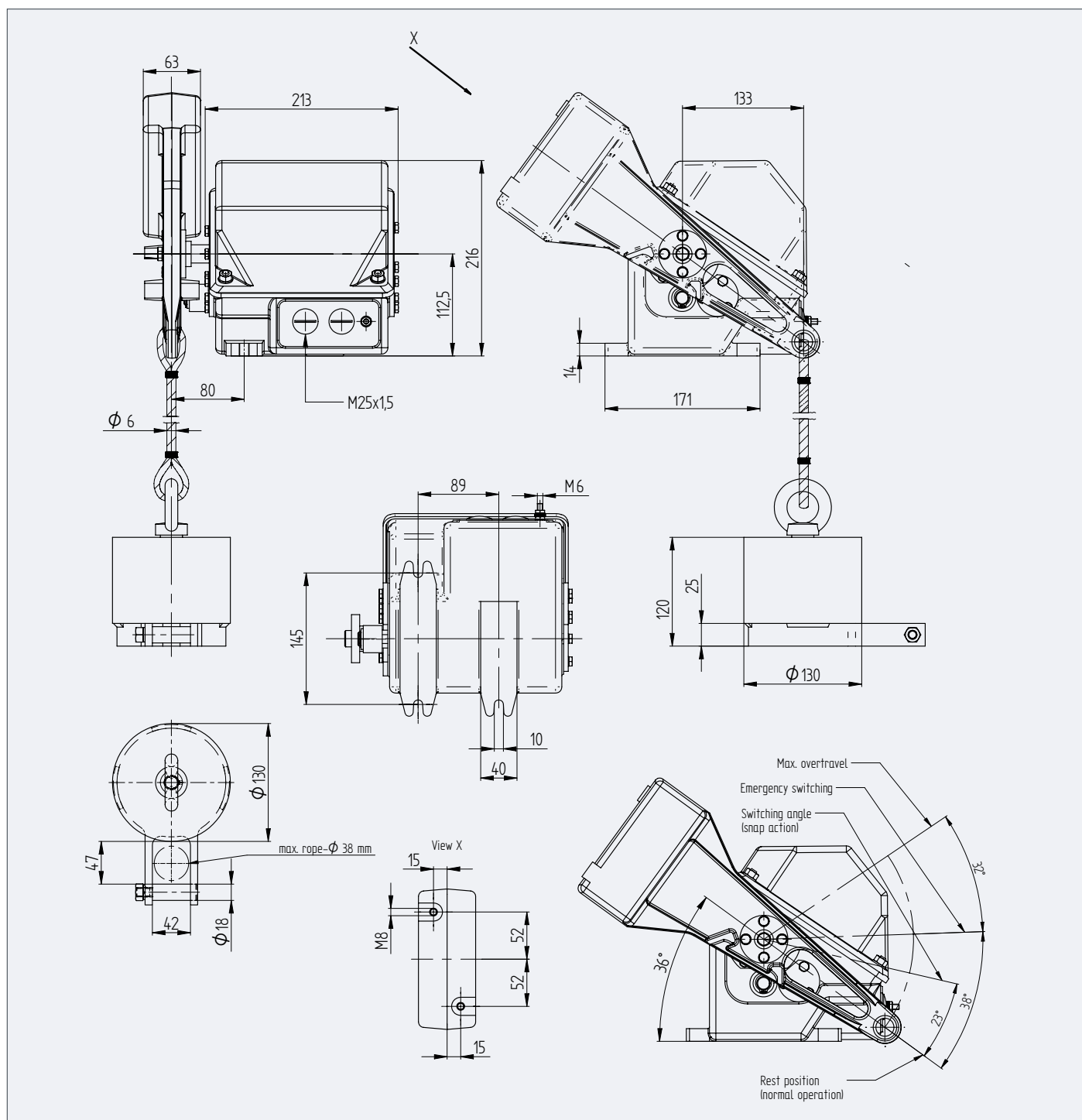
Series 62 GNE – Housing size 1

Revision number: 3.2.1.10-01

Revision date: 19.11.2019

Features

- Housings in the size 1 and 2 made of aluminum, protection rate IP65



Series 62 – Main Current Switches

Revision number: 3.2.1.11-02

Revision date: 03.07.2023

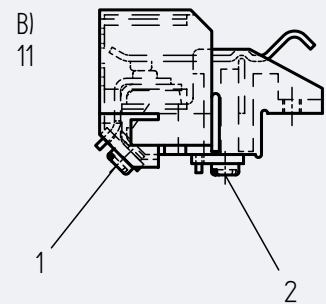
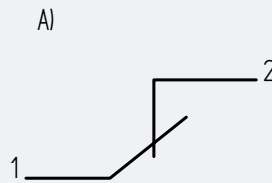
Features

- Main current switches for alternating current (50 Hz / 60Hz)

Additional information

- The performance data of the switches is related to temperatures from -30°C up to + 45°C

A) Circuit diagram (NC)
B) Contact 11



Switching Contact			Switching System		Electrical Data							Connection
Designation	Three phase current	Direct cureent	Snap action	Push action	Permanent current	Slip ring rotor 1), 2) $I_a = 2 \times I_{Nv}$ $\cos\phi = 0,7$			Squirrel-cage rotor 1), 2) $I_a = 2 \times I_{Nv}$ $\cos\phi = 0,6$			Screw terminals for cable cross section [mm ²]
					A	230V	400V	500V	230V	400V	500V	
11 ³⁾	•			•	40	15	28	28	12	20	20	1x10 or 2x6

- 1) Breaking capacity in [kW] at 60% duty factor (ED) when switching off ... [V]
- 2) If the same contacts for both directions of rotation of the motors are current transversed, the stated output is adm. Only up to 40% ED
- 3) When used as control current contact, load capacity up to 10A, 500 VAC

Stromag Geared Cam Limit Switches

Limit Switches Main Current

Series 62 – Option: Fixed Control Switches

Revision number: 3.2.1.12-01

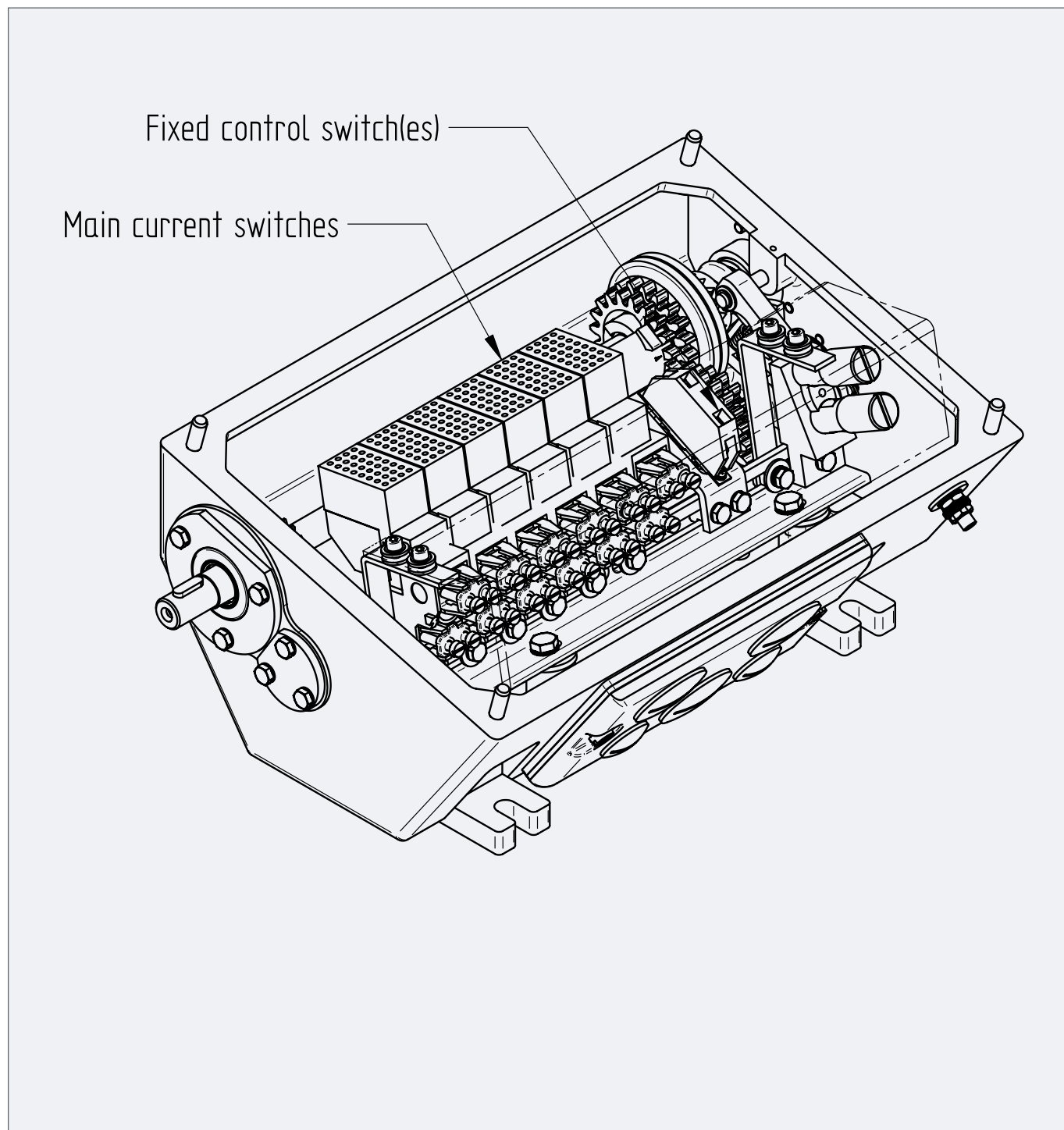
Revision date: 19.11.2019

Features

- Additionally to the main current switches
- Only for auxiliary current

Additional information

- Adjustment of the fixed control switches is not possible, switching is done 20° before the main current switches



Series 62 – Option: Adjustable Control Switches (SNE only)

Revision number: 3.2.1.13-01

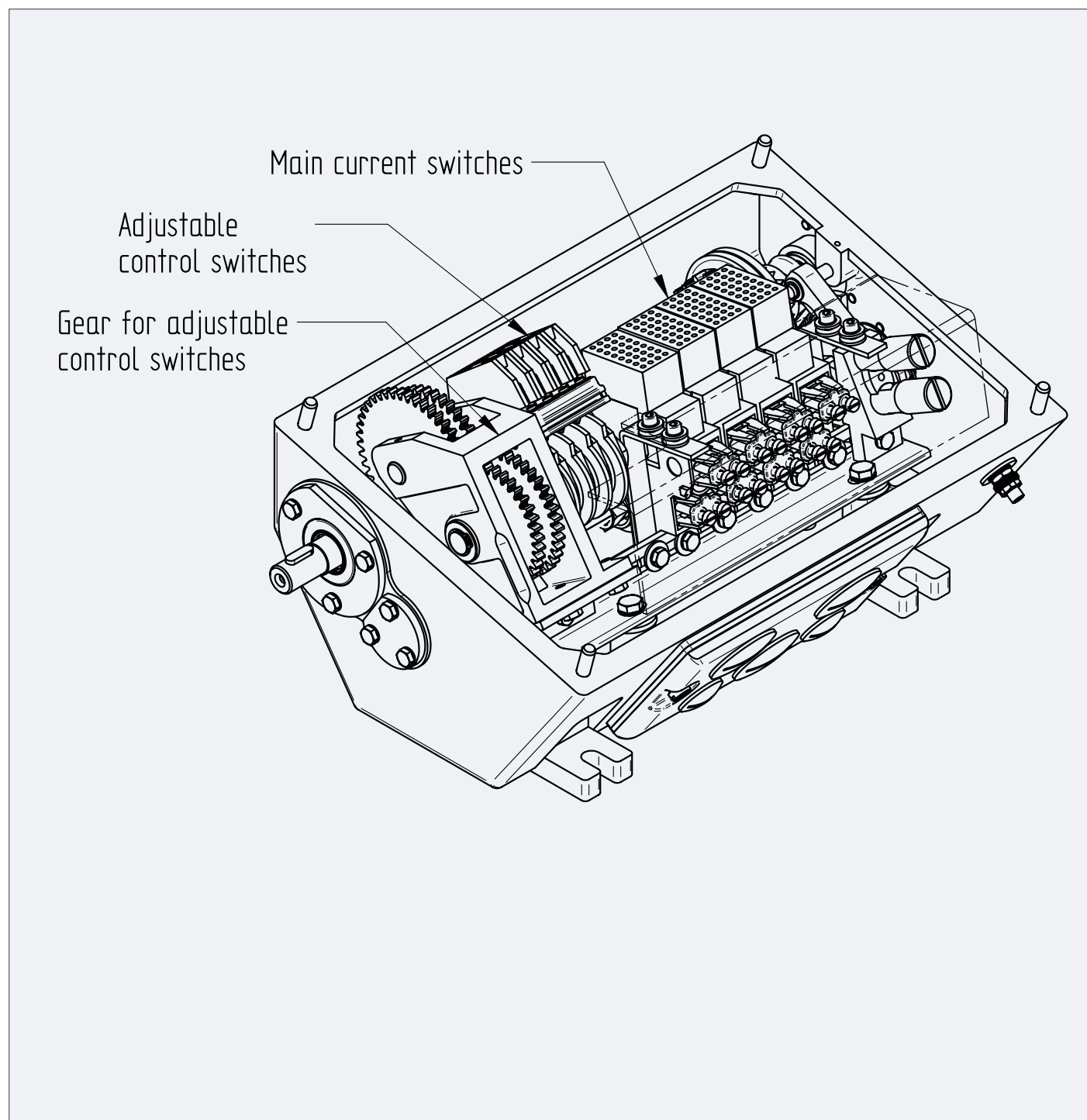
Revision date: 19.11.2019

Features

- Additionally to the main current switches
- Only for auxiliary current

Additional information

- Cam discs for this switches can be infinitely adjusted



Stromag Geared Cam Limit Switches

Limit Switches Main Current

Series 62 – Control Current Switches

Revision number: 3.2.1.14-01

Revision date: 19.11.2019

Features

- Different types of switches available for control current
- Gold plated types for PLC applications

Image	Circuit diagram	Type of contact	Image
<p>Contact 80 81 90 90G</p>		80 90 90G	<p>Contact 51</p>
<p>Contact 88</p>		81	<p>Contact 54</p>
		88	
		51	
		51	<p>Contact 52 53</p>
		52 53	

Switching contact			Contact material		Switching system		Connec- tion	Functionality			Electrical data			Utilization data
Designation	Circuit as a changeover	Circuit as an NC contact	Silver	Gold (PLC-Application)	Snap action switch	Push action switch	Screw terminals; 0,75 - 2,5 mm ² / AWG 14 ... 20	Positive opening acc. to EN 60947-5-1 Annex K	Short circuit protection	Utilization category acc. to IEC 60947	Conventional thermal current I_{th}	Rated Insulation Voltage U_i	Mechanical Lifetime	
51	•			•	•		•		10A gL/gG	AC-15: 230V, 2,5A DC-13: 24V, 4A	6A	250V	30x106	
52	•			•	•		•		6A gL/gG	AC-15: 230V, 2,5A DC-13: 24V, 6A	10A	250V	1x106	
53	•			•		•	•		6A gL/gG	AC-15: 230V, 2,5A DC-13: 24V, 6A	10A	250V	1x106	
54		•	•			•	•		10A gL/gG	AC-15: 230V, 2,5A DC-13: 24V, 1A	6A	250V	30x106	
80	•		•		•		•		6A gG	AC-15: 230V, 3A DC-13: 110V, 1A	10A	400V	10x106	
81	•		•			•	•		6A gG	AC-15: 230V, 3A DC-13: 110V, 1A	10A	400V	10x106	
90	•		•		•		•		6A gR	AC-15: 230V, 1A DC-13: 110V, 0,5A	10A	400V	10x106	
90G	•			•	•		•		2A gG	AC-12: 230V, 0,25A, DC-12: 110V, 0,25A	10A	400V	10x106	
88		•		•	•		•		10A gG	AC-15: 230V, 1,5A DC-13: 24V, 1,5A	10A	400V	1,5x106	

Series 62 – Contact Arrangement

Revision number: 3.2.1.15-01

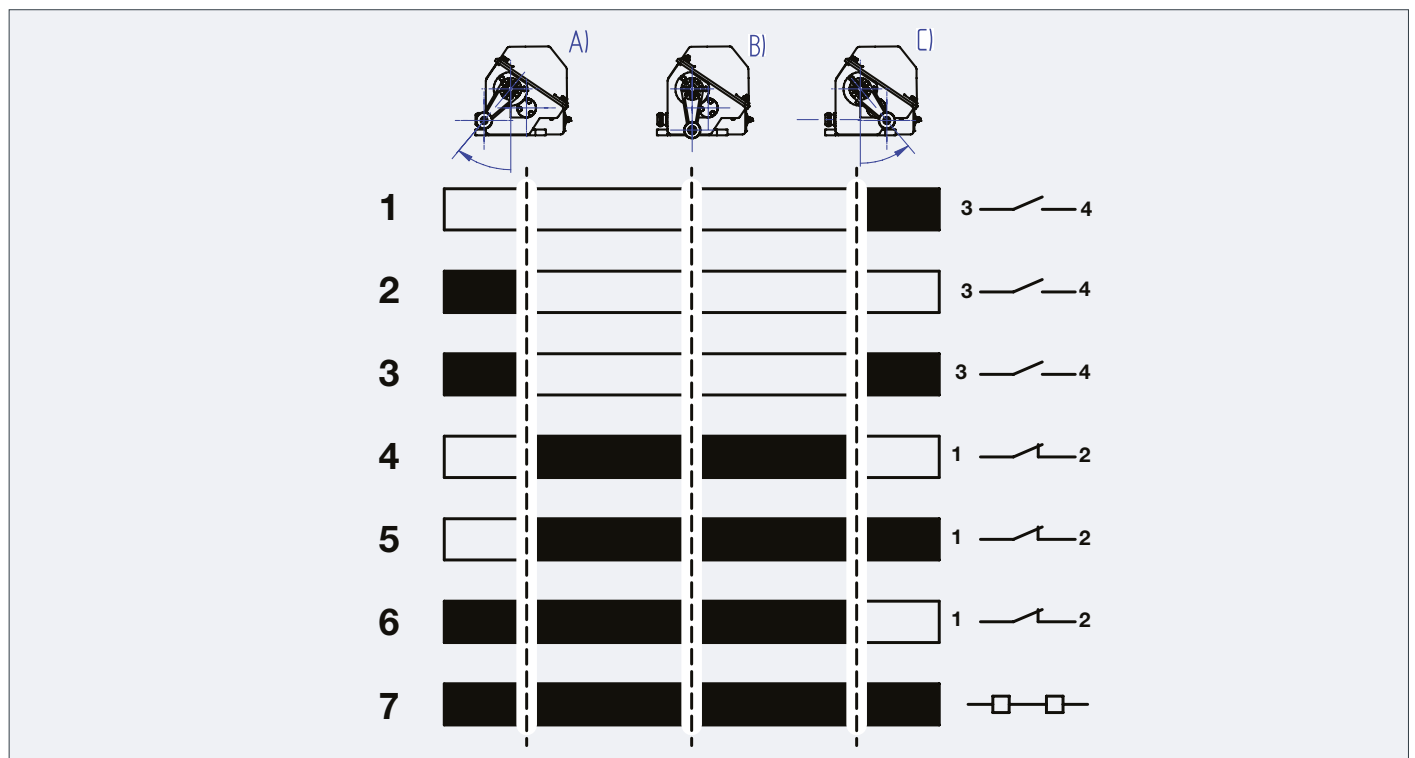
Revision date: 19.11.2019

Features

- Contact arrangement only for main current switches

Additional information

- Contact arrangement of the main current switches must be specified by the customer



Contact Arrangement		Contact state		
Arrangement	Description	Position A clockwise (cw)	Position B neutral	Position C counter-clockwise (ccw)
1	NO - closes in ccw direction	opened	opened	closed
2	NO - closes in cw direction	closed	opened	opened
3	NO - closes in cw & ccw direction	closed	opened	closed
4	NC - opens in cw & ccw direction	opened	closed	opened
5	NC - opens in cw direction	opened	closed	closed
6	NC - opens in ccw direction	closed	closed	opened
7	bridge - always remains closed	closed	closed	closed

Stromag Geared Cam Limit Switches

Limit Switches Main Current

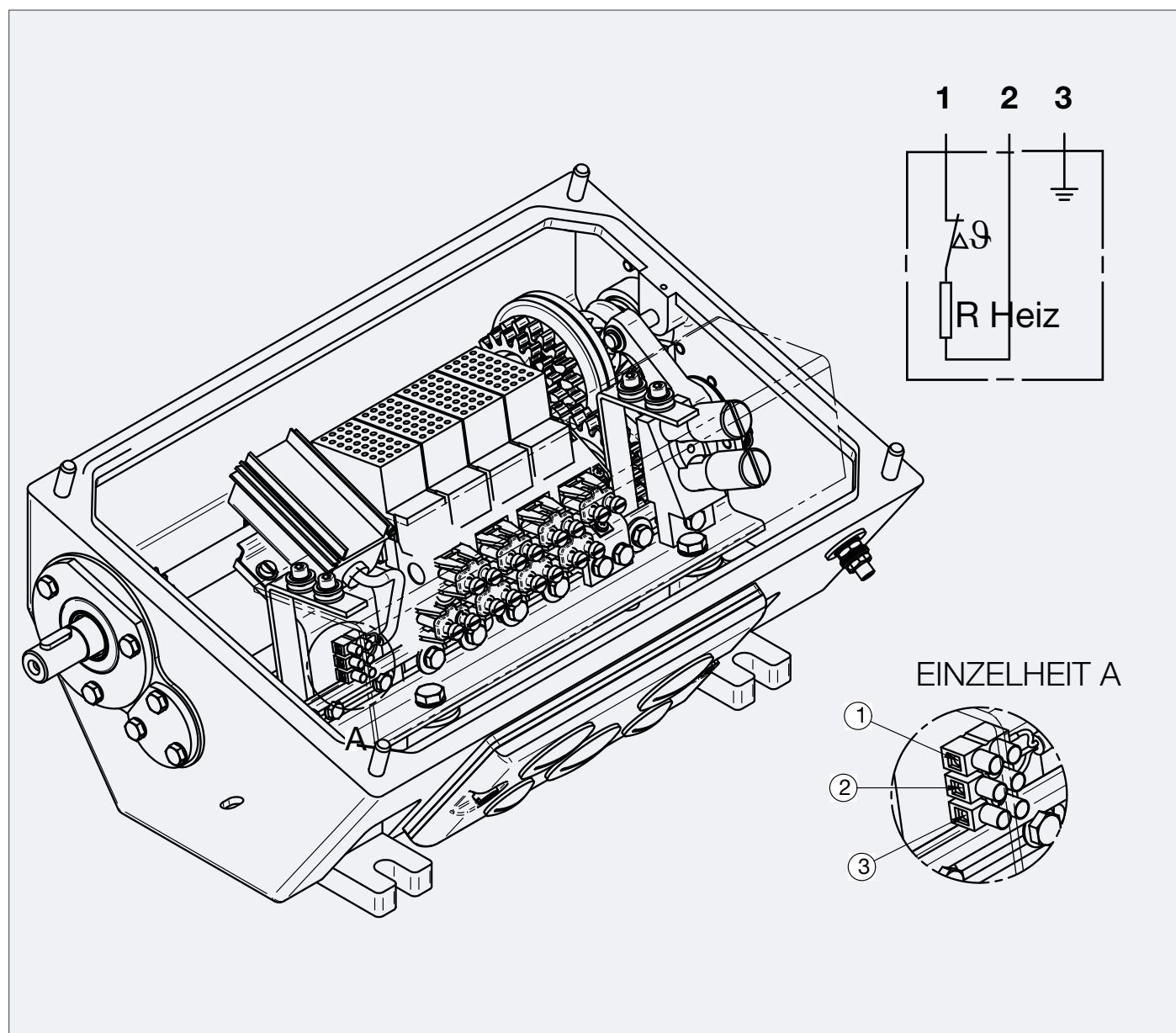
Series 62 – Anti-Condensation-Heating

Revision number: 3.2.1.16-01

Revision date: 19.11.2019

Features

- To prevent the generation of condensation water due to quick temperature drops



Heating Technical Data

Supply Voltage	Power	Power on	Power off	Connection
24 V AC	10 W	< 25 ° C	> 55 ° C	3 x 0,75 mm ²
110 - 265 V AC	10 W	< 25 ° C	> 55 ° C	3 x 0,75 mm ²


Stromag Geared Cam Limit Switches

Limit Switches Main Current

Series 62 – Key Of Types

Revision number: 3.2.1.17-01

Revision date: 19.11.2019

Stromag GmbH Hansastr.120 Tel.: 02303 / 102-0 59425 Unna		Reihe <input type="text" value="62"/>	Auftr.-Nr. <input type="text" value="123456 / 10"/>	Bauj. <input type="text" value="12/18"/>
Typ <input type="text" value="62-2_42_SNE_311_281FV"/>	Kontakt-anordnung <input type="text" value="444B"/>	Gr. <input type="text" value="2"/>		
Schaltumdreh. (Schaltwinkel) <input type="text" value="42"/>	Nachlaufumdreh. (Nachlaufwinkel) <input type="text" value="20"/>	Vor-kontakt <input type="text" value="10"/>	A bei <input type="text" value="400"/> V	
Abschaltbare Motornennleistung bei 60% ED in kW für				
Schleifringläufer		Käfigläufer		
230V <input type="text" value="15"/>	400V <input type="text" value="28"/>	500V <input type="text" value="28"/>	230V <input type="text" value="12"/>	400V <input type="text" value="20"/>
			500V <input type="text" value="20"/>	220V <input type="text"/>
			400-600V <input type="text"/>	
				Blasspule <input type="text"/> A

62		Switch type: Series 62	
62-2	Housing Size	62-1	Housing size 1, aluminum (HNE, GNE)
		62-2	Housing size 2, aluminum (HNE, SNE)
		62-3	Housing size 3, aluminum (SNE)
		62-4	Housing size 4, cast iron (SNE)
42	Usable Revolutions	0	For HNE, GNE
		42, 62	For SNE
SNE	Switch type	SNE	Spindle Switch
		HNE	Lever Switch
		GNE	Counterweight Switch
3	Number of main switches fitted	1 - 10	
11	Type of main switches fitted	11	Main current switches, 40 A AC
2	Number of control switches fitted	1 - 4	
81	Type of control switches fitted	11	Contact (push action) with screw connections, contact material: Silver
		80	Contact (changeover) with screw connections, contact material: Silver Ü
		81	Contact (push action) with screw connections, contact material: Silver Ü
		88	Contact (double action) with screw connections, contact material: Gold Ü
		90	Contact (changeover) with screw connections, contact material: Silver Ü
		90G	Contact (changeover) with screw connections, contact material: Gold Ü
		51	Snap-action with screw-terminals, contact material: gold
		52	Contact (changeover) with screw connections, contact material: Gold Ü
		53	Contact (push action) with screw connections, contact material: Gold Ü
FV	Adjustability of control switches		Fixed control switches
		FV	Adjustable control switches

Premier Industrial Company Leading Brands

OTHER PRODUCT SOLUTIONS FROM **REGAL REXNORD**

Our comprehensive product offerings include various types of clutches and brakes, overrunning clutches, engineered bearing assemblies, gearing and gear motors along with linear motion products, belted drives, couplings, limit switches, precision motors, drives & controls, and miniature motors. With thousands of product solutions available, Regal Rexnord provides true single source convenience while meeting specific customer requirements. Many major OEMs and end users prefer Regal Rexnord products as their No. 1 choice for performance and reliability.

WWW.REGALREXNORD.COM



Electric Clutches & Brakes

Stromag
Warner Electric



Precision Motors & Automation

Kollmorgen



Heavy Duty Clutches & Brakes

Industrial Clutch
Stromag
Svendborg Brakes
Twiflex
Wichita Clutch



Miniature Motors

Portescap



Overrunning Clutches

Formsprag Clutch
Marland Clutch
Stieber



Linear Systems

Thomson



Engineered Couplings & Universal Joints

Ameridrives
Bibby Turboflex
Guardian Couplings
Huco
Lamiflex Couplings
Stromag
TB Wood's



Specialty Components

Kilian
Stromag
TB Wood's



Gear Drives & Gear Motors

Bauer Gear Motor
Boston Gear
Delroyd Worm Gear
Nuttall Gear



4000 Airline Dr, Suite D Houston,
TX, 77022

Phone: +1-346-398-4400

Email: sales@delreypartners.com