

# Series HGE / HEG / HHEV Geared Cam Limit Switches



# Stromag

Founded in 1932, Stromag has grown to become a globally recognized leader in the development and manufacture of innovative power transmission components for industrial drivetrain applications. Stromag engineers utilize the latest design technologies and materials to provide creative, energy-efficient solutions that meet their customer's most challenging requirements.

Stromag's extensive product range includes flexible couplings, disc brakes, limit switches, an array of hydraulically, pneumatically, and electrically actuated brakes, and a complete line of electric, hydraulic and pneumatic clutches.

Stromag engineered solutions improve drivetrain performance in a variety of key markets including energy, off-highway, metals, marine, transportation, printing, textiles, and material handling on applications such as wind turbines, conveyor systems, rolling mills, agriculture and construction machinery, municipal vehicles, forklifts, cranes, presses, deck winches, diesel engines, gensets and stage machinery.



# Altra Motion

Altra is a leading global designer and producer of a wide range of electromechanical power transmission and motion control components and systems. Providing the essential control of equipment speed, torque, positioning, and other functions, Altra products can be used in nearly any machine, process or application involving motion. From engine braking systems for heavy duty trucks to precision motors embedded in medical robots to brakes used on offshore wind turbines, Altra has been serving customers around the world for decades.

Altra's leading brands include **Ameridrives**, **Bauer** Gear Motor, **Bibby** Turboflex, **Boston** Gear, **Delevan**, **Delroyd** Worm Gear, **Formsprag** Clutch, **Guardian** Couplings, **Huco**, **Jacobs** Vehicle Systems, **Kilian**, **Kollmorgen**, **Lamiflex** Couplings, **Marland** Clutch, **Matrix**, **Nuttall** Gear, **Portescap**, **Stieber**, **Stromag**, **Svendborg** Brakes, **TB Wood's**, **Thomson**, **Twiflex**, **Warner** Electric and **Wichita** Clutch.



# CONTENT

Catalog Series HGE / HEG / HHEV: **IV**

At a Glance	4
Series HGE - Worm Gear Limit Switch	5
Series HGE – Gear Data	6
Series HGE – Housing Types Cxx	7
Series HGE – Housing Types Bxx	8
Series HGE – Option: Mounting Flanges FL, FL160	9
Series HGE – Option: Encoder Preparation	11
Series HGE – Option: Internal Encoder	12
Series HEG – Spur Gear Limit Switch	13
Series HEG – Option: Gear Data	14
Series HEG – Housing Types A1, A2	15
Series HEG – Option: Mounting Flanges FL	16
Series HHEV – Lever Limit Switch	17
Series HHEV – Housing Types A1, A2	18
Series HHEV – Available Levers	19
Series HGE, HEG, HHEV – Available Switches	20
Series HGE, HEG, HHEV – Cam Disc Types	21
Series HGE, HEG, HHEV – Customizable Cam Discs	22
Series HGE, HEG, HHEV – Option: Anti-Condensation-Heating	23
Series HGE, HEG – Option Drive Flange F, F+M	24
Series HGE, HEG, HHEV – Key of Types	25



# Stromag Geared Cam Limit Switches

---

## AT A GLANCE



## STROMAG SERIES HGE / HEG / HHEV

### BENEFITS INCLUDE

- HGE for tight installations (in axial directions)
- Drive of incremental and absolute encoders possible
- Up to 16 contacts
- HEG und HHEV up to 8 contacts



### Series HGE – Worm Gear Limit Switch

Revision number: 3.1.4.1-01

Revision date: 19.11.2019

#### Features

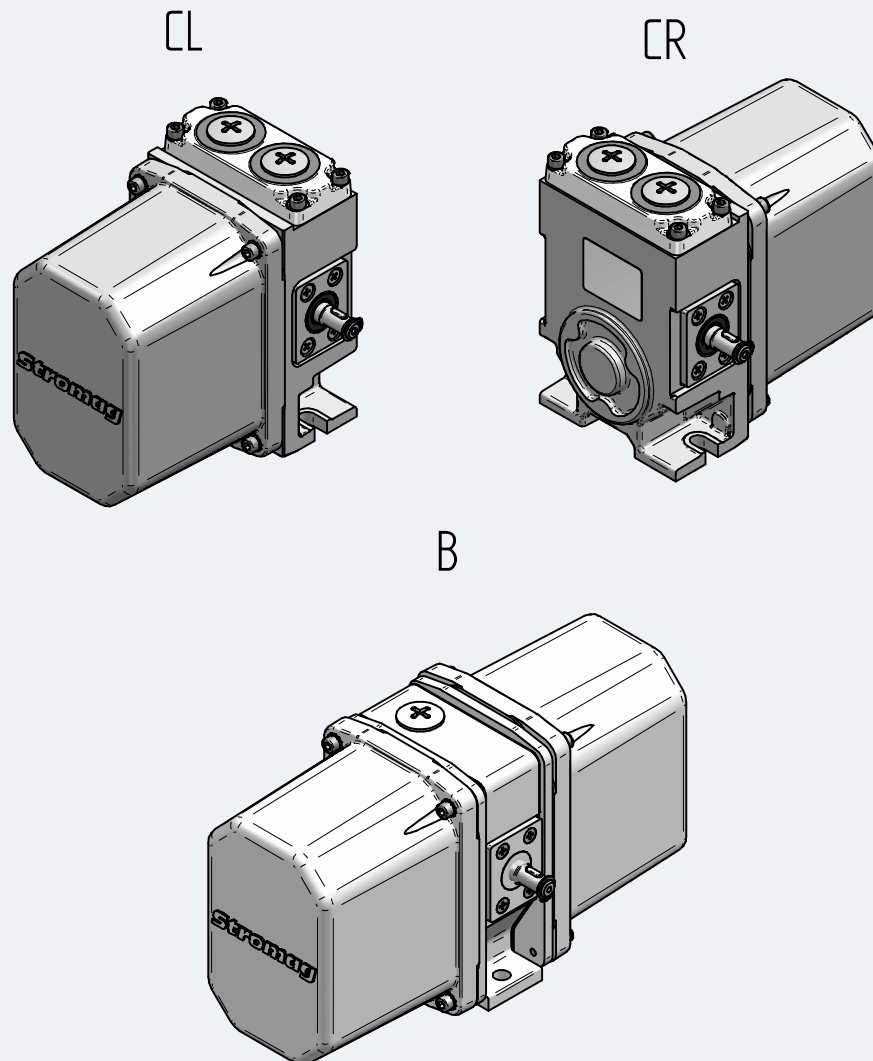
- Sea water resistant aluminum housing protection IP65
- Contact spaces on the left, on the right or on both sides possible

#### Application

- Crane
- Wind
- Steel works

#### Additional information

- For tight installations (especially in axial direction)
- Assembly of incremental or absolute multiturn possible



## Series HGE / HEG / HHEV Limit Switches

### Series HGE – Gear Data

Revision number: 3.1.4.2-01

Revision date: 19.11.2019

#### Features

- Designed as worm or worm spur gear
- All gear parts made of metal with lifetime lubrication

#### Additional information

- 345, 460 and 715 are special gears on request

I) Gearbox - for contacts 80, 81, 88, 90, 90G with cam discs 40° FV70

Nominal revolutions	Usable revolutions with 40° cam disc	Gear ratio i	Castor revolutions of the drive shaft after each side	Mechanical Hysteresis [revolution at drive shaft]		Max. input speed [min <sup>-1</sup> ]	Min. input speed for alternating operation [min <sup>-1</sup> ]			Min. drive torque for switching an individual contact [Nm]	Max. drive torque for forced opening of an individual contact [Nm]
				Contact			Contact				
				80, 90, 90G	88		80, 81	90, 90G	88		
9,5	10,67	12,000	1,333	0,073	0,097	250	3,638	1,819	0,364	0,20	0,371
18	18,29	20,571	2,286	0,125	0,166	250	6,236	3,118	0,624	0,20	0,300
22	22,40	25,200	2,800	0,154	0,203	250	7,639	3,820	0,764	0,20	0,281
29	29,64	33,344	3,705	0,203	0,269	250	10,108	5,054	1,011	0,20	0,261
35	44,44	50,000	5,556	0,305	0,403	500	15,158	7,579	1,516	0,10	0,141
70	76,19	85,714	9,524	0,523	0,691	500	25,984	12,992	2,598	0,10	0,124
85	93,33	105,000	11,667	0,640	0,846	500	31,831	15,915	3,183	0,10	0,120
100	107,25	120,652	13,406	0,736	0,972	500	36,576	18,288	3,658	0,10	0,117
115	123,50	138,933	15,437	0,847	1,120	750	42,118	21,059	4,212	0,10	0,115
155	155,56	175,000	19,444	1,067	1,410	750	53,052	26,526	5,305	0,10	0,112
180	194,18	218,449	24,272	1,332	1,760	750	66,223	33,112	6,622	0,10	0,109
230	230,30	259,091	28,788	1,580	2,088	1.000	78,544	39,272	7,854	0,05	0,058
260	264,08	297,091	33,010	1,811	2,394	1.000	90,064	45,032	9,006	0,05	0,057
305	313,21	352,364	39,152	2,148	2,839	1.000	106,820	53,410	10,682	0,05	0,056
345	352,36	396,409	44,045	2,417	3,194	1.000	120,172	60,086	12,017	0,05	0,055
460	476,00	535,500	59,500	3,265	4,315	1.000	162,338	81,169	16,234	0,05	0,054
715	740,44	833,000	92,556	5,079	6,712	1.000	252,526	126,263	25,253	0,05	0,052

### Series HGE – Housing Types Cxx

Revision number: 3.1.4.3-01

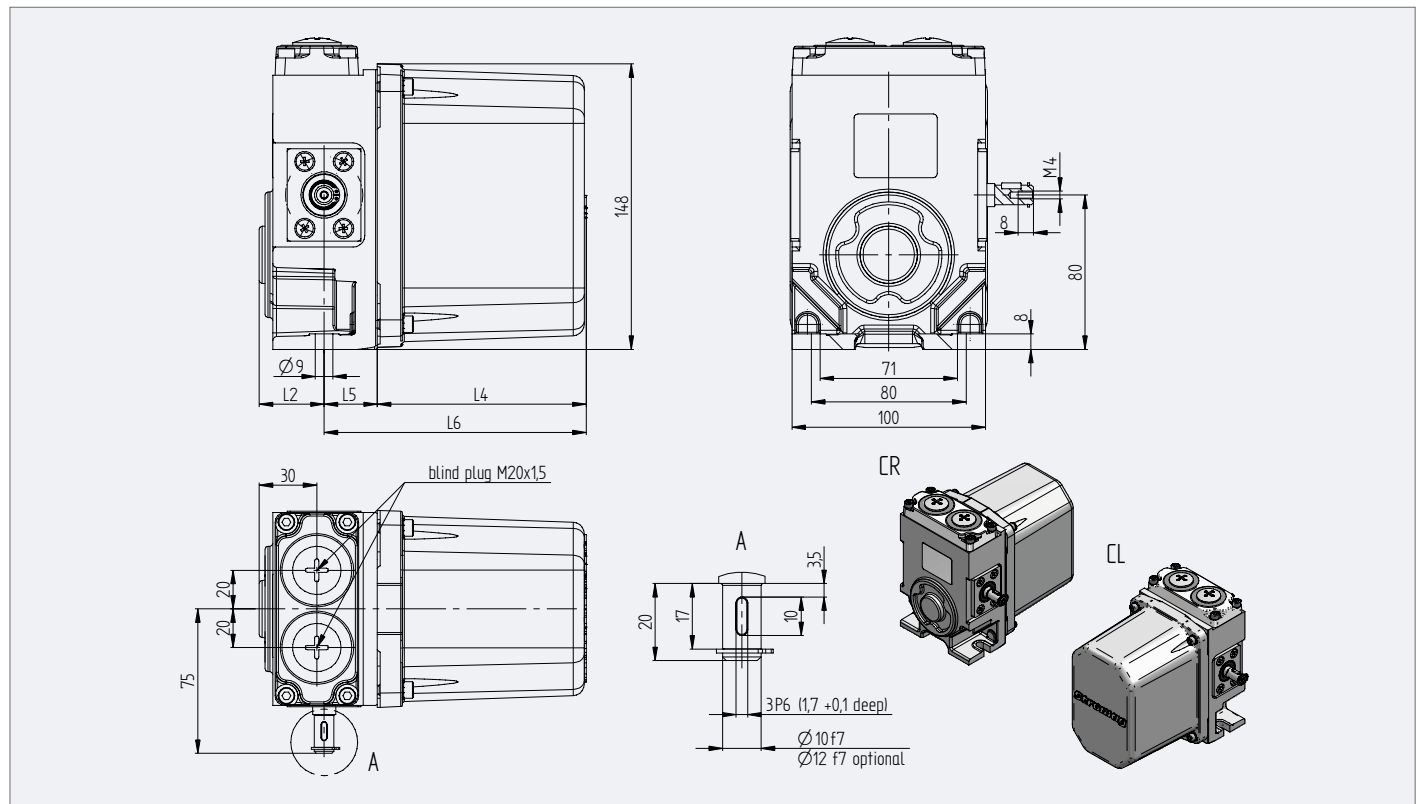
Revision date: 19.11.2019

#### Features

- Contact space on the left or on the right possible
- Max. of 8 contacts possible for each side

#### Additional information

- Dimensional drawing for 345,460 and 715 on request



Switch size	Gear size	No. switching contacts	L1 [mm]	L2 [mm]	L3 [mm]	L4 [mm]	L5 [mm]	L6 [mm]	weight [kg]
C1R/C1L	max. 305	max. 5	-	33,5	-	108	27	135	2,80
C2R/C2L	max. 305	max. 8	-	34	-	138	27	165	3,25



## Series HGE / HEG / HHEV Limit Switches

# Series HGE – Housing Types Bxx

Revision number: 3.1.4.4-01

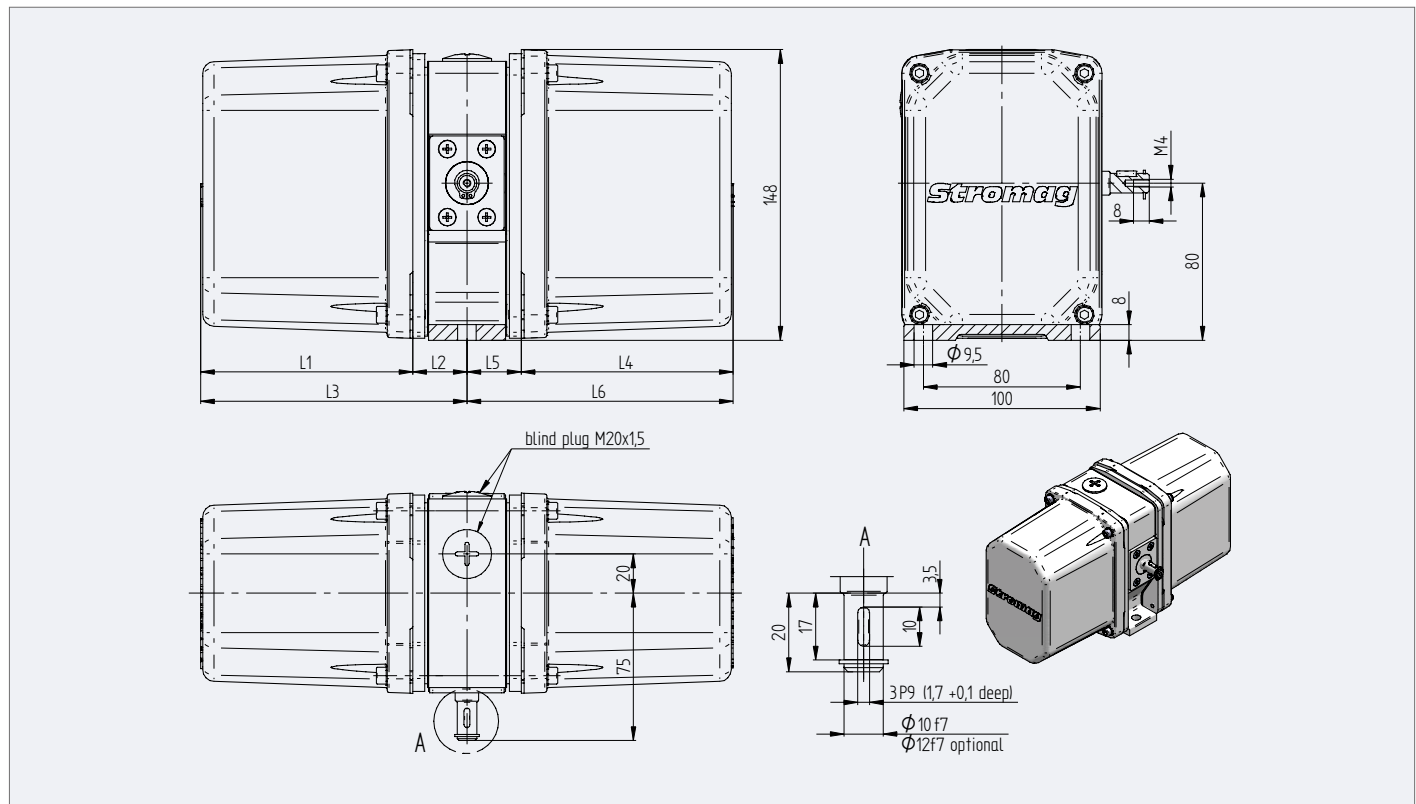
Revision date: 19.11.2019

### Features

- Up to 16 contacts possible, max. 8 contacts on each side

### Additional information

- Dimensional drawing for 345, 460 and 715 on request



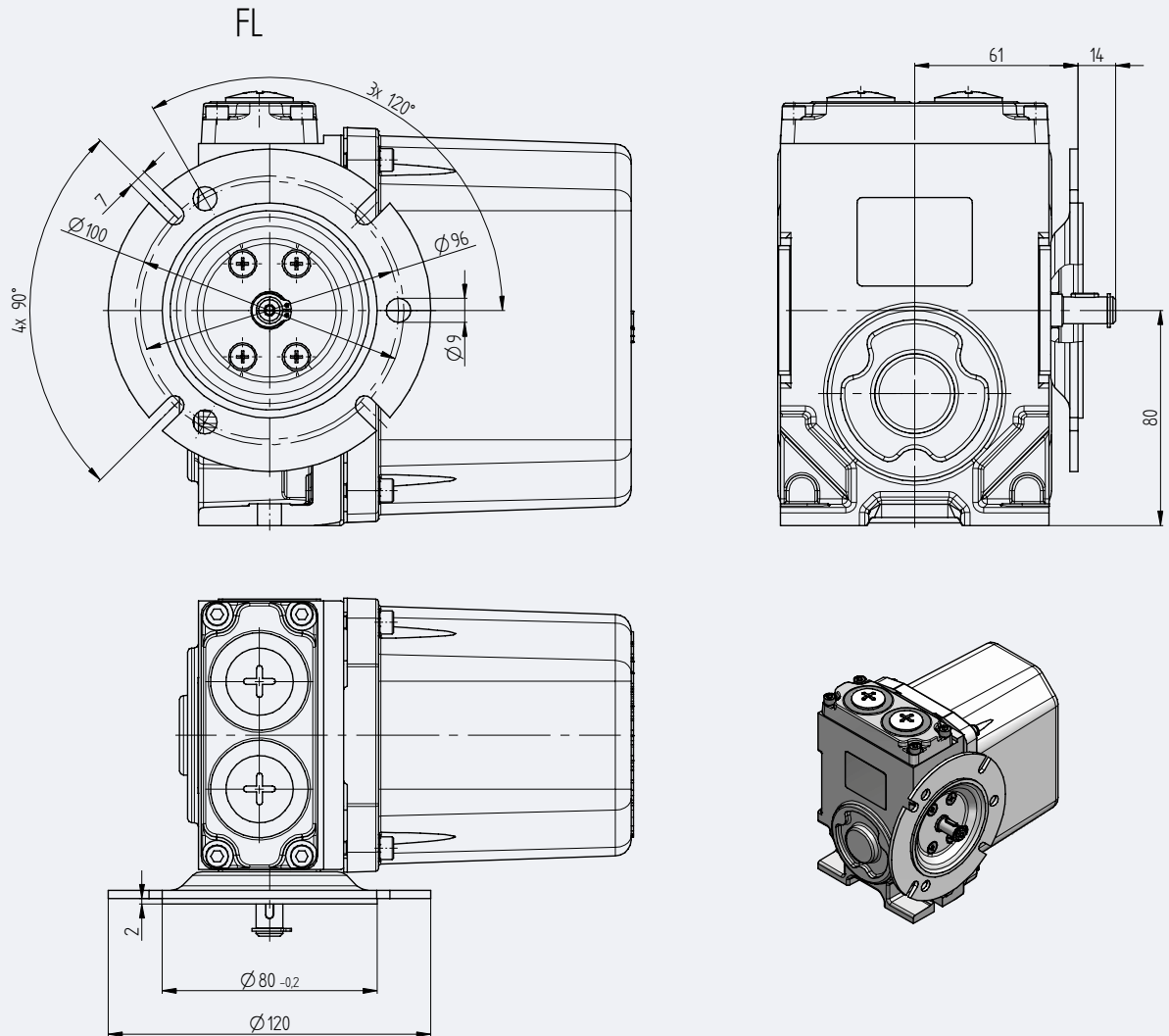
Switch size	Gear size	No. switching contacts	L1 [mm]	L2 [mm]	L3 [mm]	L4 [mm]	L5 [mm]	L6 [mm]	weight [kg]
B11	max. 305	max. 10	108	27	135	108	27	135	3,70
	>305		108	27	135	108	37	145	
B22	max. 305	max. 16	138	27	165	138	27	165	4,40
	>305		138	27	165	138	37	175	

## Series HGE – Option: Mounting Flanges FL, FL160

Revision number: 3.1.4.5-01

Revision date: 19.11.2019

Additional weight: 0,10 kg



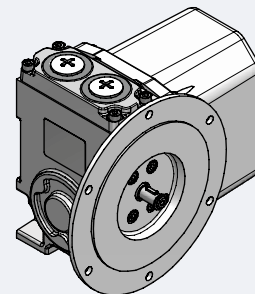
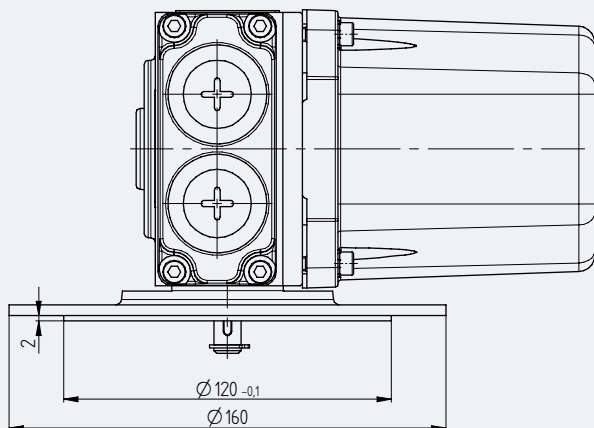
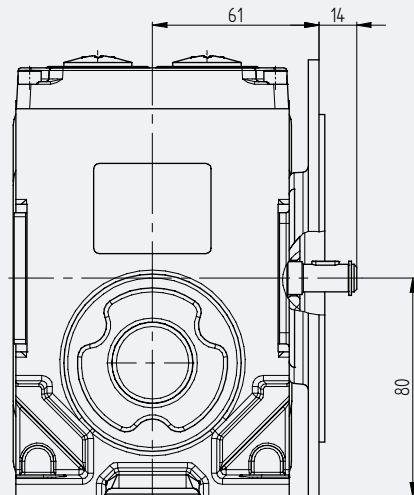
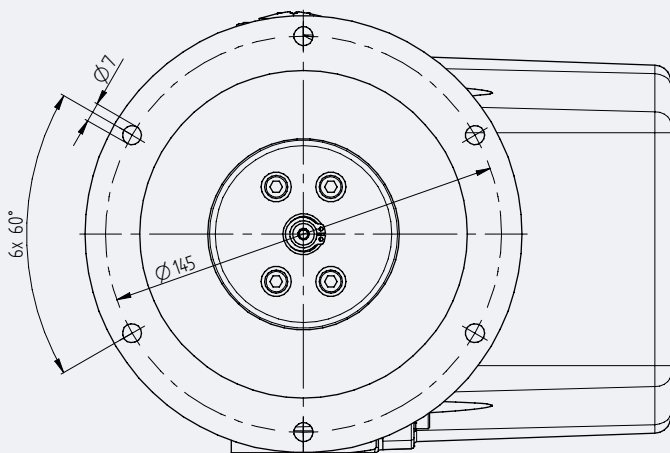
### Series HGE – Option: Mounting Flanges FL, FL160

Revision number: 3.1.4.5-01

Revision date: 19.11.2019

Additional weight: 0,27 kg

FL160





### Series HGE – Option: Encoder Preparation

Revision number: 3.1.4.6-01

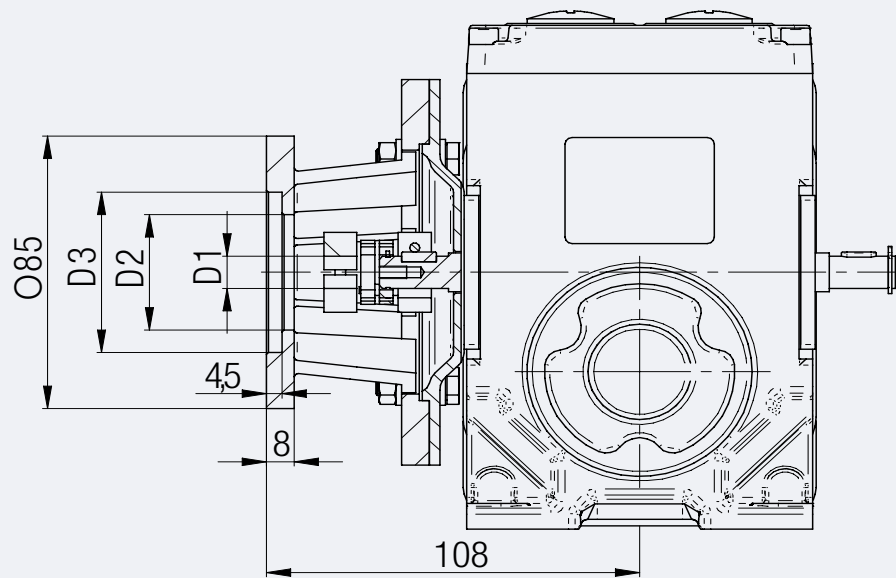
Revision date: 19.11.2019

**Features**

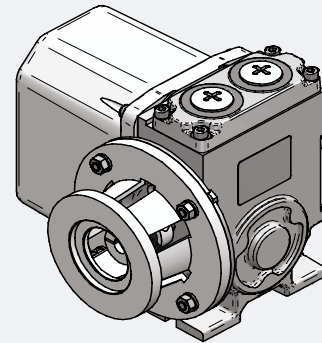
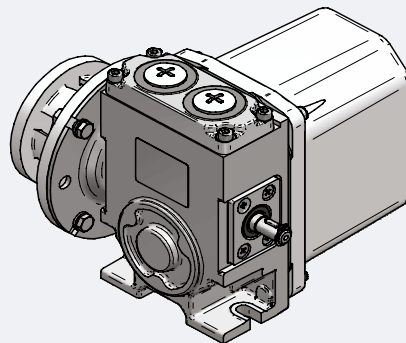
- Preparation for the installation of multi-turn encoders possible, driven by lead through drive shaft

**Additional information**

- Adaptor for encoders with centering of 36 or 50 mm, other centerings on request
- Connection to the encoder with special encoder coupling



Example: CR



D1 [mm]	D2 [mm]	D3 [mm]
Ø6	Ø36H7 or other	Ø50H7 or other
Ø8		
Ø10		
Ø12		

## Series HGE / HEG / HHEV Limit Switches

### Series HGE – Option: Internal Encoder

Revision number: 3.1.4.6-01

Revision date: 19.11.2019

#### Features

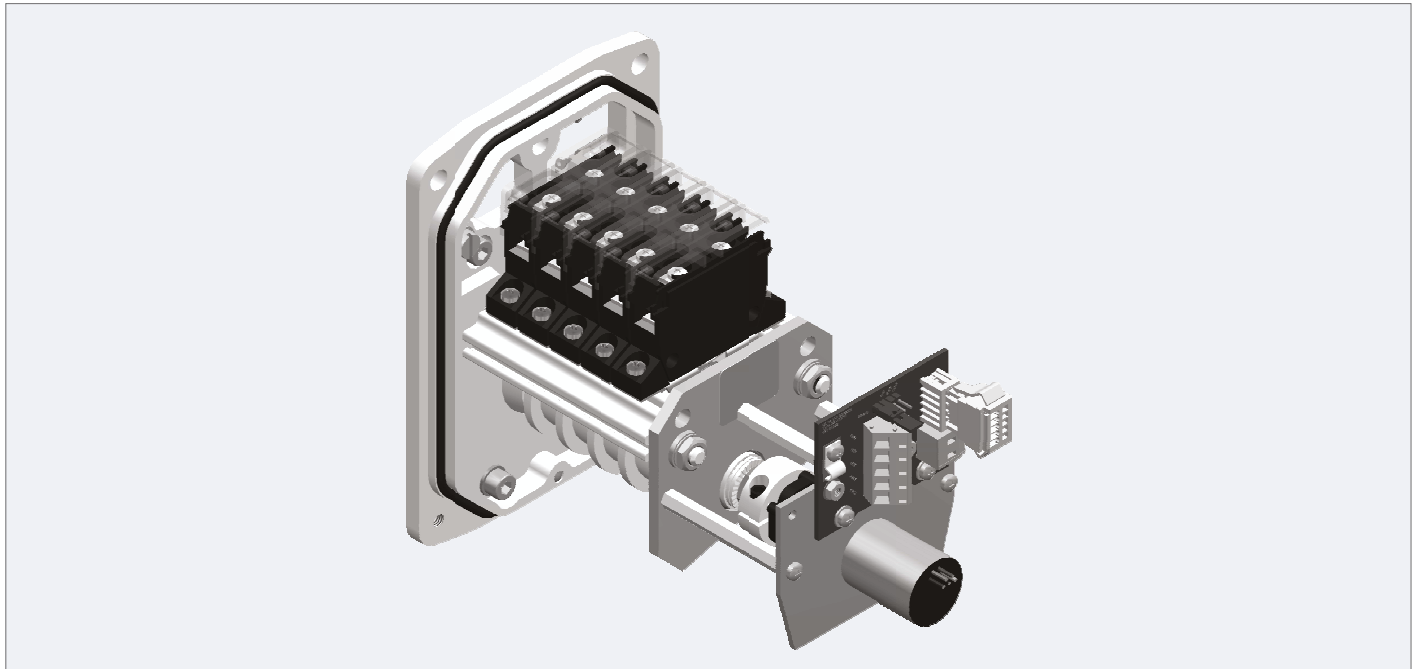
- Contactless measuring method
- Absolute value acquisition
- Long lifetime
- Turning synchronously with the cam discs

#### Application

- For simple measuring of absolute signals (voltage or current)

#### Additional information

- Programmable type CW or CCW
- 0 point setting



Type	Current	Voltage
Supply Voltage UBB	18 to 35 VDC (RL = 500 W) 12 to 35 VDC (RL = 200 W)	18 to 35 VDC
Signal output	Iout: 4 to 20 mA (0°...360°)	Uout: 0.1 to 10 V (0°...360°)
Linearity	±0,1% to effective range	±0,1% to effective range
Hysteresis	max. 0,1°	max. 0,1°
Output charge	Load resistor 0...0,5 kW	Load resistor >= 10 kW
Rotary angle mech.	360° rotation possible	360° rotation possible
Temperature range	-40°C to +85°C	-40°C to +85°C
Weight	approx. 100 g	approx. 100 g

### Series HEG – Spur Gear Limit Switch

Revision number: 3.1.4.7-01

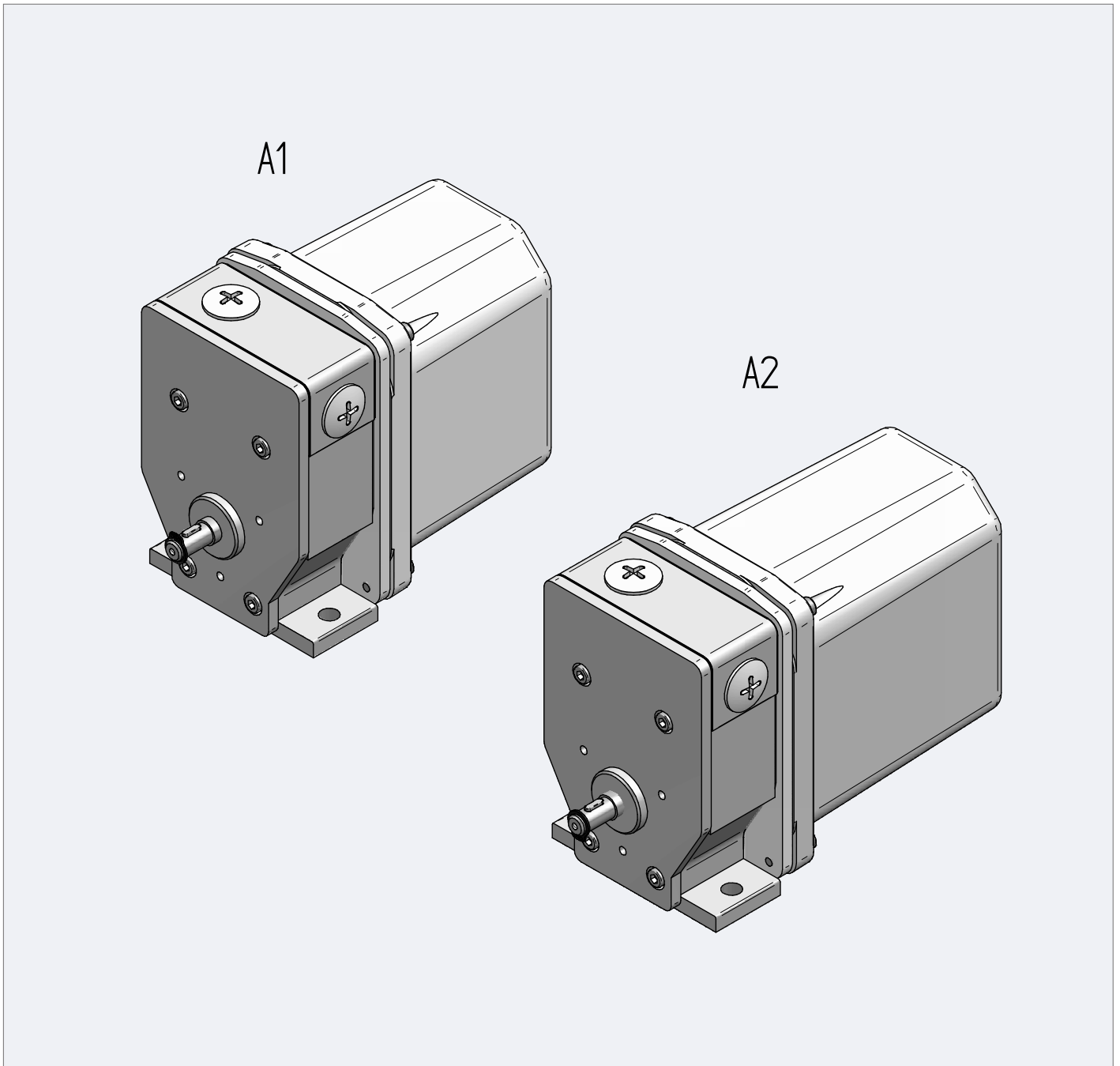
Revision date: 19.11.2019

#### Features

- Spur gear made of metal
- gear ratios <1 available
- Up to 8 contacts possible

#### Application

- Crane
- Steel works





## Series HGE / HEG / HHEV Limit Switches

### Series HEG – Gear Data

Revision number: 3.1.4.8-01

Revision date: 19.11.2019

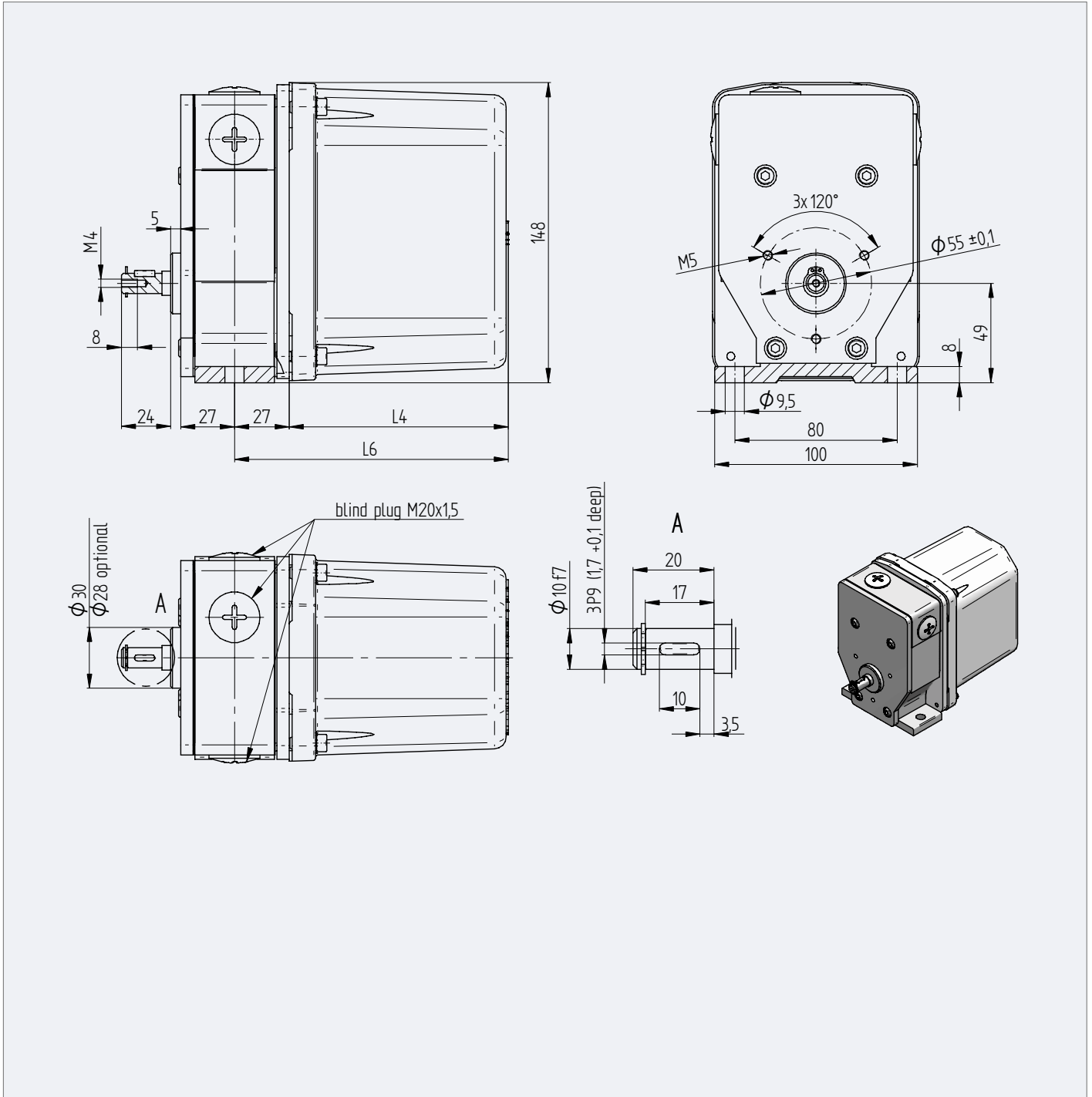
I) Gearbox - for contacts 80, 81, 88, 90, 90G with cam discs 40° FV70											
Nominal revolutions	Usable revolutions with 40° cam disc	Gear ratio i	Castor revolutions of the drive shaft after each side	Mechanical Hysteresis [revolution at drive shaft]		Max. input speed [rpm]	Min. input speed for alternating operation [rpm]			Min. drive torque for switching an individual contact [Nm]	Max. drive torque for forced opening of an individual contact [Nm]
				Contact			Contact				
				80, 90, 90G	88		80, 81	90, 90G	88		
0,15	0,18	0,200	0,022	0,001	0,002	50	0,061	0,030	0,006	0,625	10,238
0,2	0,22	0,250	0,028	0,002	0,002	50	0,076	0,038	0,008	0,500	8,190
0,28	0,30	0,333	0,037	0,002	0,003	50	0,101	0,051	0,010	0,375	6,143
0,38	0,40	0,444	0,049	0,003	0,004	50	0,135	0,067	0,013	0,281	4,607
0,5	0,53	0,600	0,067	0,004	0,005	150	0,182	0,091	0,018	0,208	3,413
1	0,89	1,000	0,111	0,006	0,008	150	0,303	0,152	0,030	0,125	2,048
1,1	1,19	1,333	0,148	0,008	0,011	150	0,404	0,202	0,040	0,094	1,536
1,5	1,60	1,800	0,200	0,011	0,015	150	0,546	0,273	0,055	0,069	1,138
2	2,67	3,000	0,333	0,018	0,024	250	0,909	0,455	0,091	0,042	0,683
2,5	3,56	4,000	0,444	0,024	0,032	250	1,213	0,606	0,121	0,031	0,512
3,5	4,44	5,000	0,556	0,030	0,040	250	1,516	0,758	0,152	0,025	0,410
6	8,00	9,000	1,000	0,055	0,073	250	2,728	1,364	0,273	0,014	0,228

II) Gearbox – for contacts 51 with cam discs 40° FV70, 52, 53 with cam discs 40° FV50 (All gear parts made of metal)											
Nominal revolutions	Usable revolutions with 40° cam disc	Gear ratio i	Castor revolutions of the drive shaft after each side	Mechanical Hysteresis [revolution at drive shaft]		Max. input speed [rpm]	Min. input speed for alternating operation [rpm]		Min. drive torque for switching an individual contact [Nm]	Max. drive torque for forced opening of an individual contact [Nm]	
				Contact			Contact	Contact			
				51, 52			51, 52	53			
0,15	0,17	0,200	0,028	0,002		50	0,001	0,085	0,446	3,375	
0,2	0,22	0,250	0,034	0,002		50	0,002	0,106	0,357	2,700	
0,28	0,29	0,333	0,046	0,003		50	0,002	0,141	0,268	2,025	
0,38	0,38	0,444	0,061	0,004		50	0,003	0,189	0,201	1,519	
0,5	0,52	0,600	0,083	0,005		150	0,004	0,255	0,149	1,125	
1	0,87	1,000	0,138	0,008		150	0,007	0,424	0,089	0,675	
1,1	1,15	1,333	0,183	0,011		150	0,009	0,566	0,067	0,506	
1,5	1,55	1,800	0,248	0,014		150	0,013	0,764	0,050	0,375	
2	2,59	3,000	0,413	0,024		250	0,021	1,273	0,030	0,225	
2,5	3,45	4,000	0,550	0,032		250	0,028	1,698	0,022	0,169	
3,5	4,31	5,000	0,688	0,040		250	0,035	2,122	0,018	0,135	
6	7,76	9,000	1,238	0,072		250	0,064	3,820	0,010	0,075	

## Series HEG – Housing Types A1, A2

Revision number: 3.1.4.9-01

Revision date: 19.11.2019



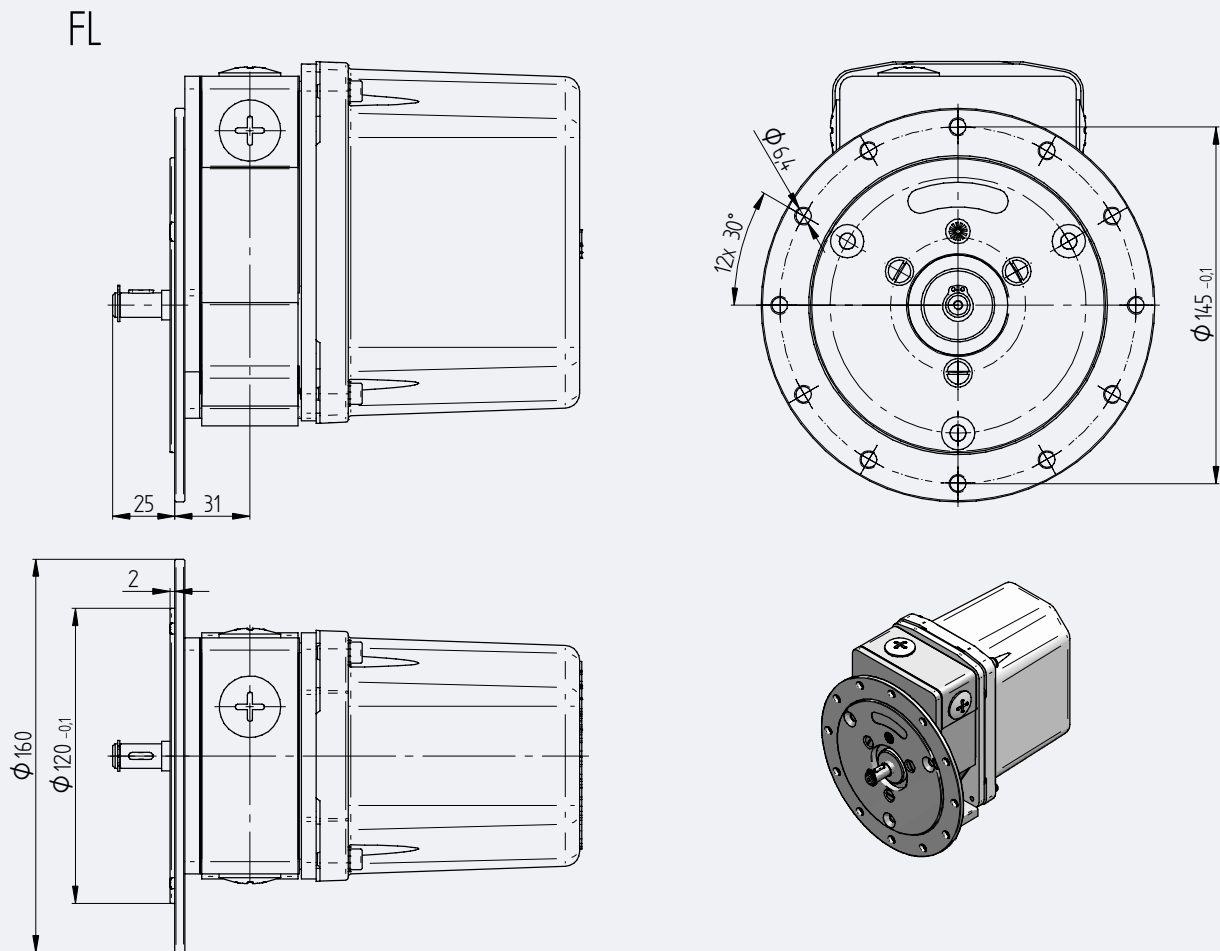
Switch size	No. switching contacts	L4 [mm]	L6 [mm]	weight [kg]
A1	max. 5	108	135	2,80
A2	max. 8	138	165	3,25

## Series HEG – Option: Mounting Flanges FL

Revision number: 3.1.4.10-01

Revision date: 19.11.2019

Additional weight: 0,25kg





## Series HHEV – Lever Limit Switch

Revision number: 3.1.4.11-01

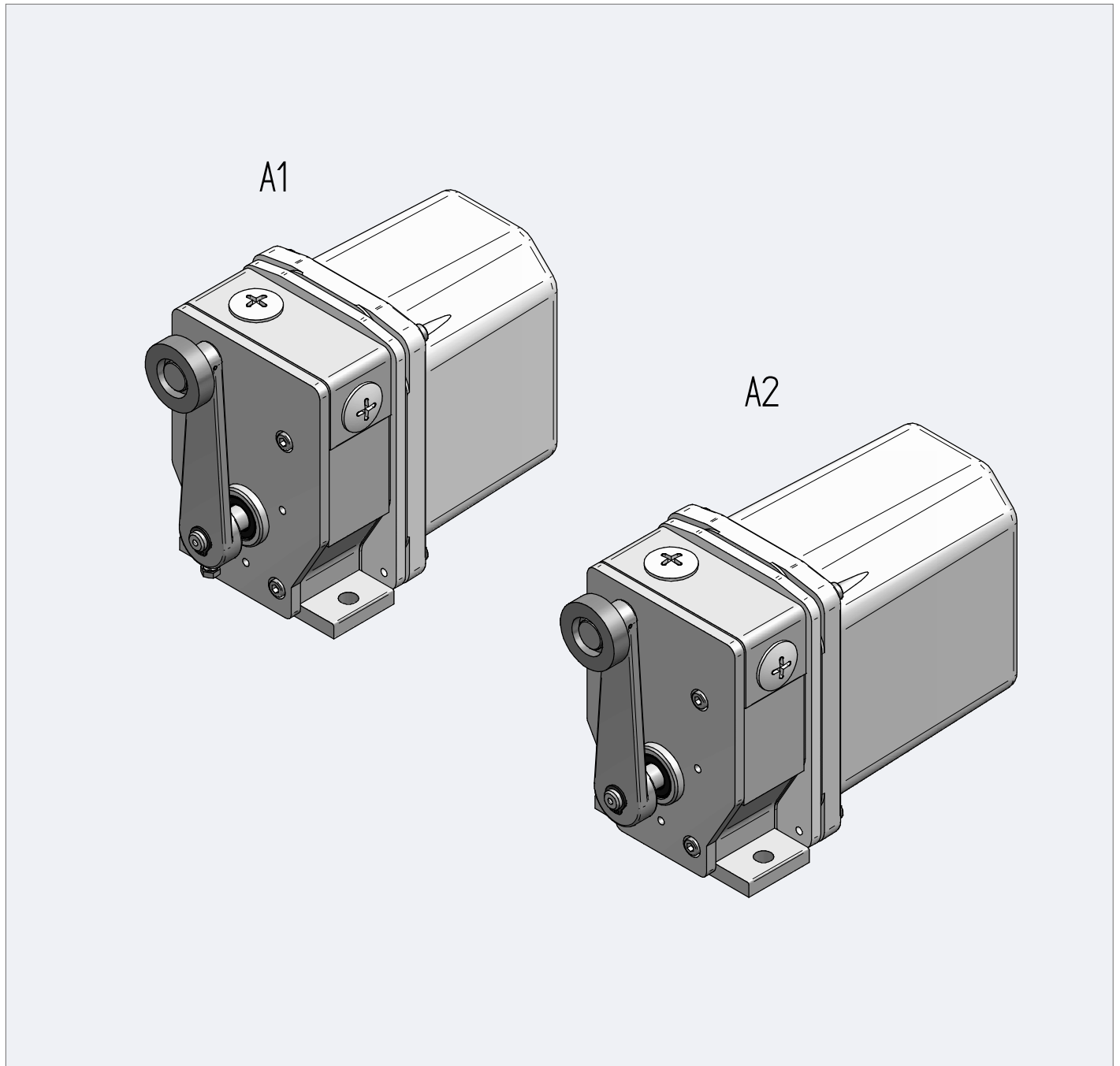
Revision date: 19.11.2019

### Features

- Aluminum housing IP65
- Up to 8 contacts possible

### Additional information

- Actuation to both sides possible



## Series HGE / HEG / HHEV Limit Switches

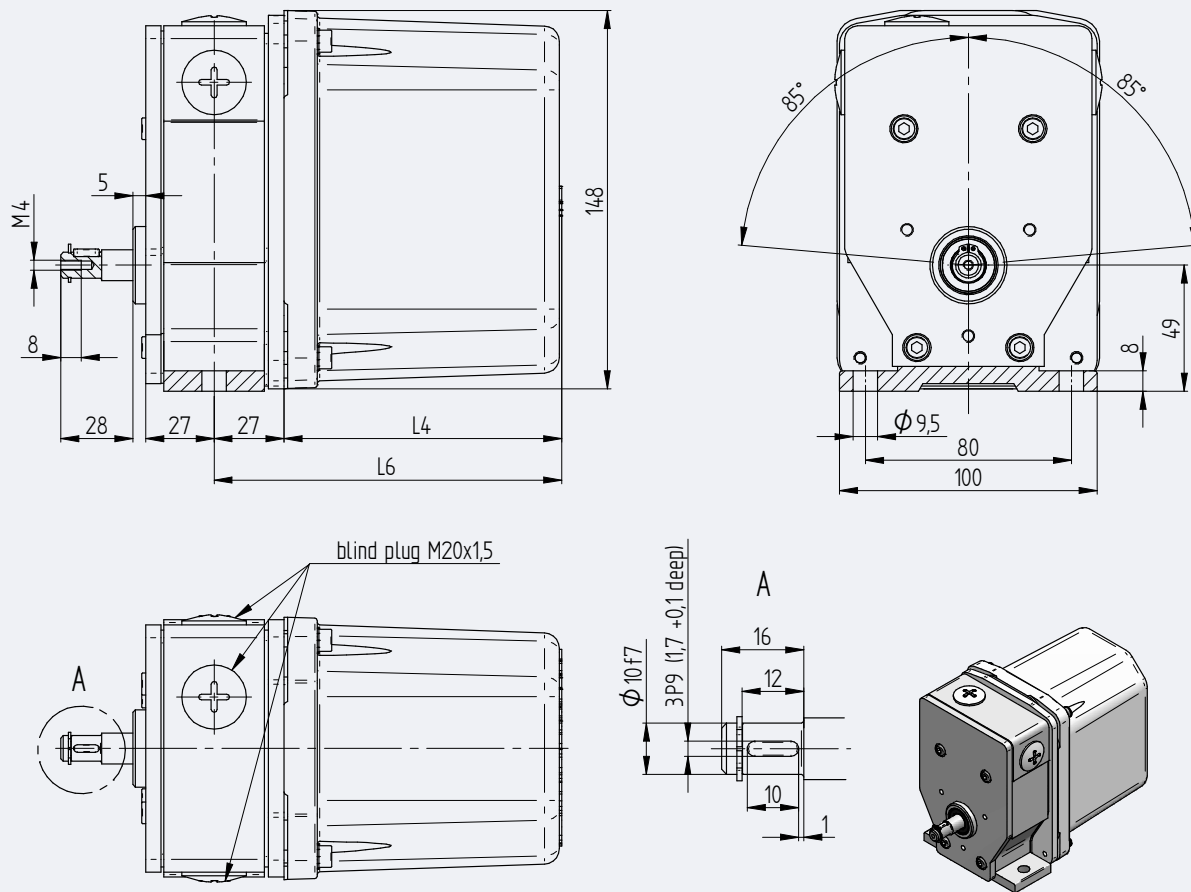
# Series HHEV – Housing Types A1, A2

Revision number: 3.1.4.12-01

Revision date: 19.11.2019

### Features

- Mechanical limits at +/- 85°
- Cam discs individually adjustable



Switch size	No. switching contacts	L4 [mm]	L6 [mm]	weight [kg]
A1	max. 5	108	135	2,80
A2	max. 8	138	165	3,25

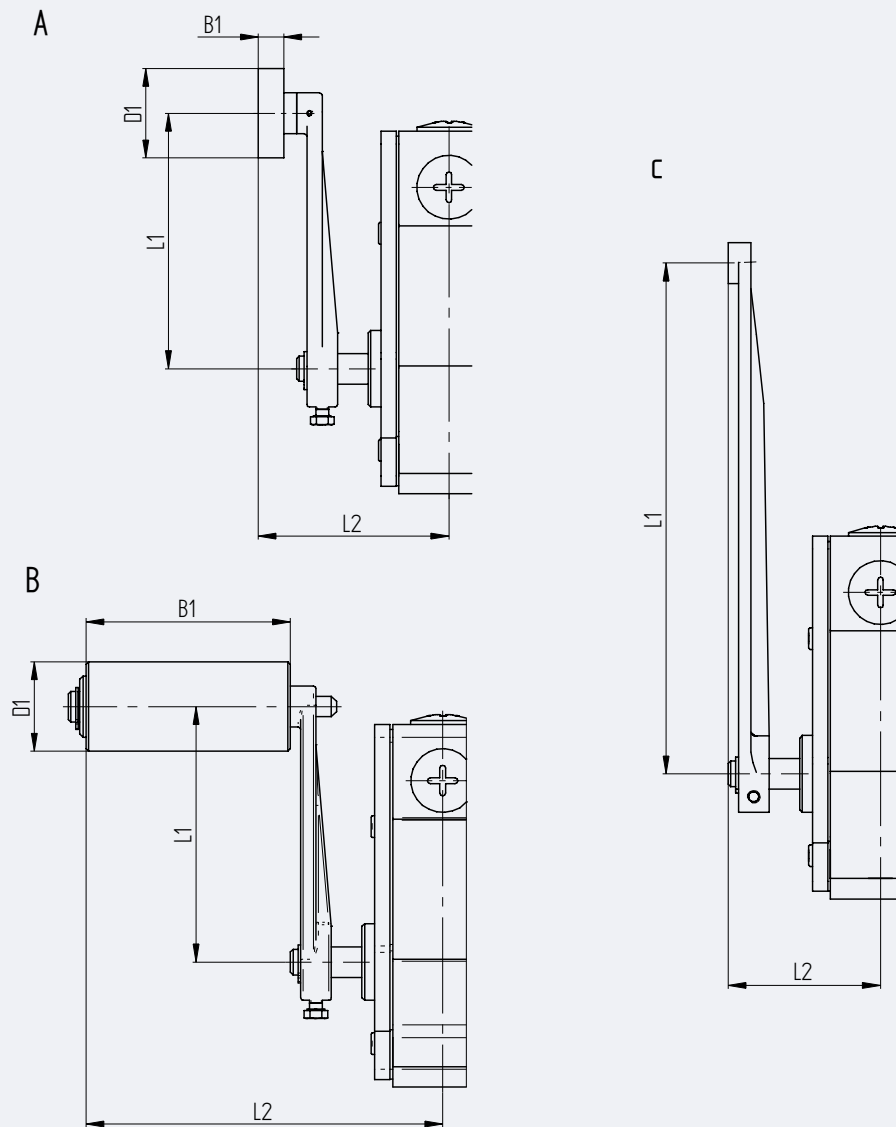
## Series HHEV – Available Levers

Revision number: 3.1.4.13-01

Revision date: 19.11.2019

### Additional information

- Type „C“ lever (L1=200mm) only for special applications, without spring return function



Shape	Material	bearing	D1 [mm]	B1 [mm]	L1 [mm]	L2 [mm]
A	brass	sleeve bearing	35	10	100	75
B	synthetic	ball bearing	35	80	100	140
C	x	x	x	x	200	60

## Series HGE / HEG / HHEV Limit Switches

# Series HGE, HEG, HHEV – Available Switches

Revision number: 3.1.4.14-03

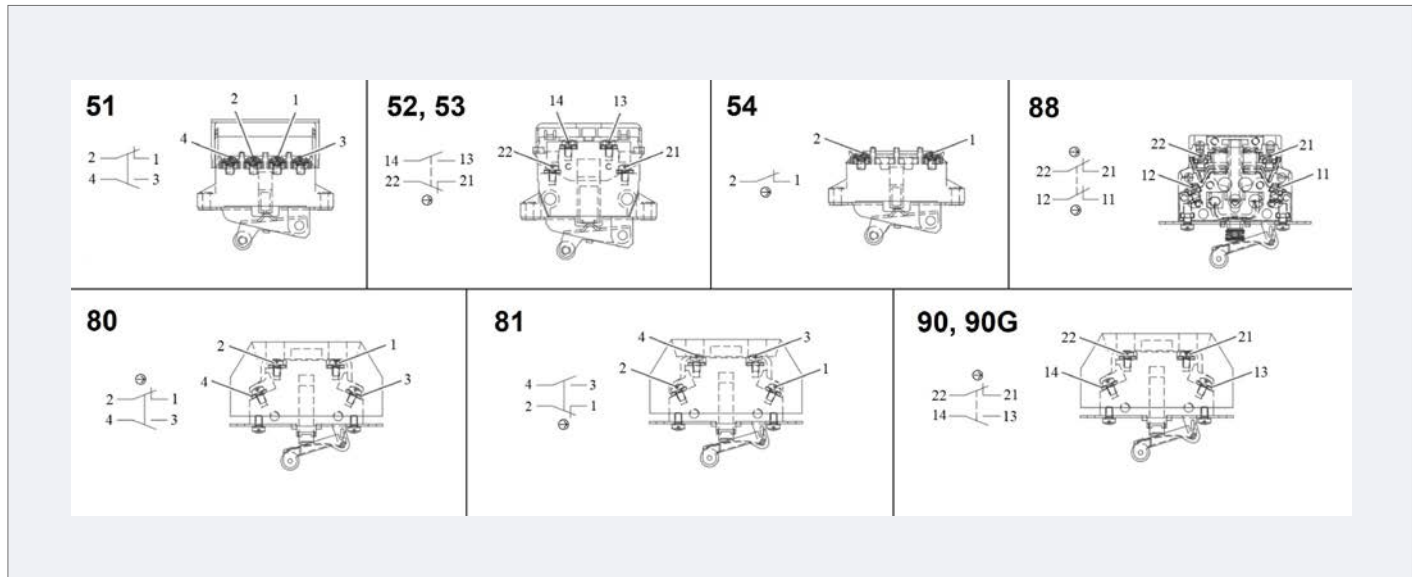
Revision date: 31.03.2022

### Features

- Snap – and push action contacts available in silver and gold
- Galvanic isolated elements available
- Positive opening contacts available

### Application

- For relays or PLC



Designation	Switching contact		Contact material		Switching system		Connection	Electrical data					Additional data		
	Circuit as a changeover	Circuit as an NC contact	Silver	Gold (PLC-Application)	Snap action switch	Push action switch		Conventional thermal current I <sub>th</sub>	Rated Insulation Voltage U <sub>i</sub>	Short circuit protection	Degree of Pollution	Mechanical Lifetime	Positive opening acc. to EN 60947-5-1 Annex K	Operating Temperature	
51	•			•	•		•	AC-15: 230V, 2,5A DC-13: 24V, 4A	6A	250V	10A gL/gG	PD 2	30x106		-30°C ... +85°C *
52	•			•	•		•	AC-15: 230V, 2,5A DC-13: 24V, 6A	10A	250V	6A gL/gG	PD 3	1x106	•	-30°C ... +85°C
53	•			•		•	•	AC-15: 230V, 2,5A DC-13: 24V, 6A	10A	250V	6A gL/gG	PD 3	1x106	•	-30°C ... +85°C
54		•	•			•	•	AC-15: 230V, 2,5A DC-13: 24V, 1A	6A	250V	10A gL/gG	PD 2	30x106	•	-30°C ... +85°C *
80	•		•		•		•	AC-15: 230V, 3A DC-13: 110V, 1A	10A	400V	6A gG	PD 3	10x106	•	-40°C ... +85°C
81	•		•			•	•	AC-15: 230V, 3A DC-13: 110V, 1A	10A	400V	6A gG	PD 3	10x106	•	-40°C ... +85°C
90	•		•		•		•	AC-15: 230V, 1A DC-13: 110V, 0,5A	10A	400V	6A gR	PD 3	10x106	•	-40°C ... +85°C
90G	•		•	•	•		•	AC-12: 230V, 0,25A, DC-12: 110V, 0,25A	10A	400V	2A gG	PD 3	10x106	•	-40°C ... +85°C
88		•		•	•		•	AC-15: 230V, 1,5A DC-13: 24V, 1,5A	10A	400V	10A gG	PD 3	1,5x106	•	-40°C ... +85°C

• = applicable

\* Up to +120°C in combination with high temperature type

### Series HGE, HEG, HHEV – Cam Disc Types

Revision number: 3.1.4.15-01

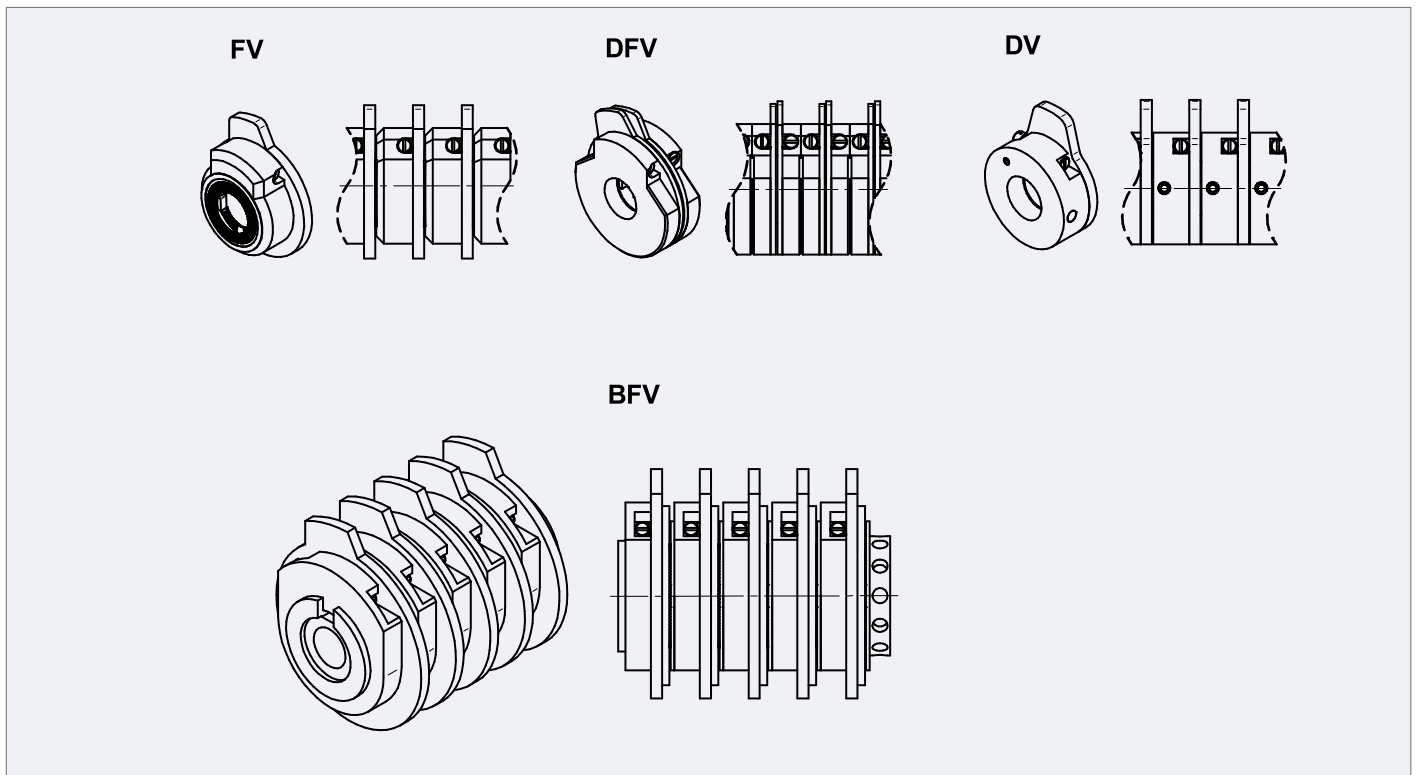
Revision date: 19.11.2019

#### Features

- Easy adjustable cam discs via self-locking worm, gear ratio of 74
- Large cam disc diameter for high switching point accuracy

#### Additional information

- FV for normal application
- DFV for flexible adjustment of the cam angle



Cam Disc Types	Material	Diameter Cam Disk	Standard Cam Angle	Special Cam Angel	Gradation Cam Angle	precisely adjustable	block adjustment
FV50	synthetic	50mm	40°	other cam angles on request	1°	x	
DFV50	synthetic	50mm	40°		1°	x	
DV50	brass	50mm	40°		1°	x	
FV70	synthetic	70mm	40°		1°	x	
BFV70	synthetic	70mm	40°		1°	x	x

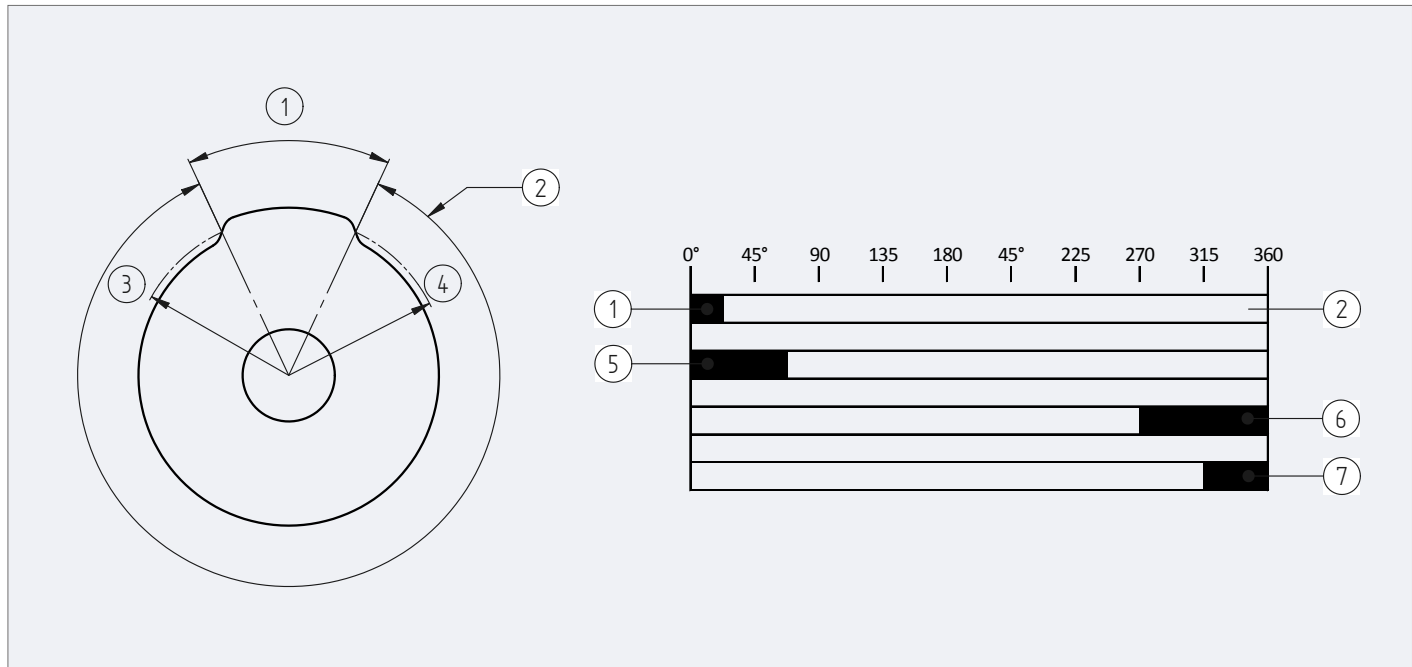


## Series HGE / HEG / HHEV Limit Switches

# Series HGE, HEG, HHEV – Customizable Cam Discs

Revision number: 3.1.4.16-01

Revision date: 19.11.2019



### A Cam angle diagram

- 1 Effective cam angle  $\alpha$  (=castor angle)
- 2 Effective cam angle  $\beta$
- 3 Switching point radius
- 4 Reset point radius

### B Application examples

- 1 Effective cam angle  $15^\circ$
- 5 Effective cam angle  $60^\circ$
- 6 Effective cam angle  $90^\circ$
- 7 Effective cam angle  $45^\circ$

The cam discs are named due to the effective cam angle. The effective cam angle corresponds to the switching point angle on the switching point radius of the cam disc. Standard cam angle for series HEG, HEG, HHEV is  $40^\circ$ .

Any other cam angles (from  $15^\circ$  up to  $345^\circ$ ) can be supplied as a special design upon request.

The usable revolutions enabled by a cam disc on the drive shaft, result in the following:

$$U = \frac{\beta * i}{360^\circ} = \frac{(360^\circ - \alpha) * i}{360^\circ} = 1 - \frac{\alpha * i}{360^\circ}$$

- U = Usable revolutions
- $\alpha$  = Effective cam angle
- $\beta$  = Usable cam angle ( $\beta = 360^\circ - \alpha$ )
- i = gear ratio

## Series HGE, HEG, HHEV – Option: Anti-Condensation-Heating

Revision number: 3.1.4.17-02

Revision date: 06.09.2022

### Features

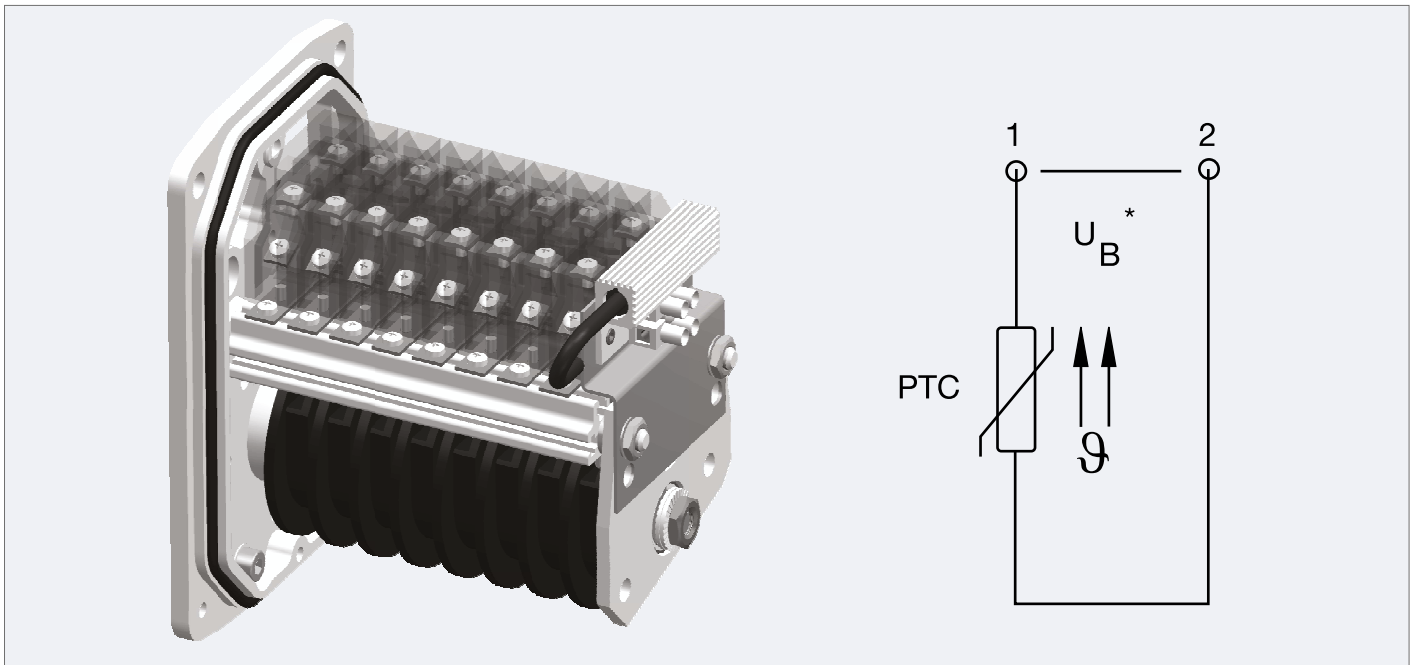
- Self-regulating PTC heating element

### Application

- For anti-condensation to avoid condensation water within the geared cam limit switch

### Additional information

- Additional safety for usage in low temperatures



Design	H1	H2
Supply Voltage U <sub>B</sub>	12 – 30 V AC/DC	110 – 250 V AC/DC
Heat Output	ca. 2.5 Watts	ca. 4 Watts
PTC Cooling resistor (at 25 °C) R <sub>25</sub>	20 Ω ± 35 %	1500 Ω ± 35 %
PTC Reference temperature	50 °C	50 °C
Protection class (VDE 0100, 0160)	II	II
Connecting cable	2 x 0,25 mm <sup>2</sup> , Silicon cable	2 x 0,25 mm <sup>2</sup> , Silicon cable
Radiator	Anodised aluminum	Anodised aluminum
Weight	approx. 40 g	approx. 40 g

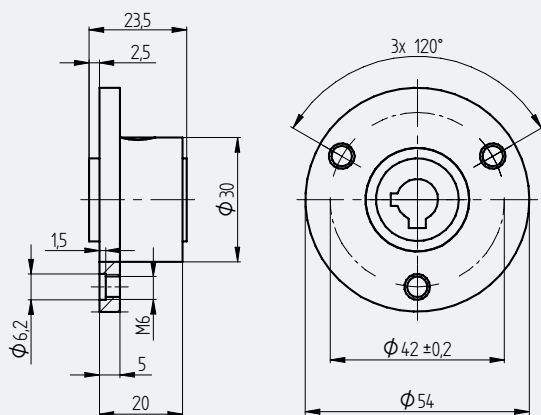
## Series HGE / HEG / HHEV Limit Switches

### Series HGE, HEG – Option Drive Flange F, F+M

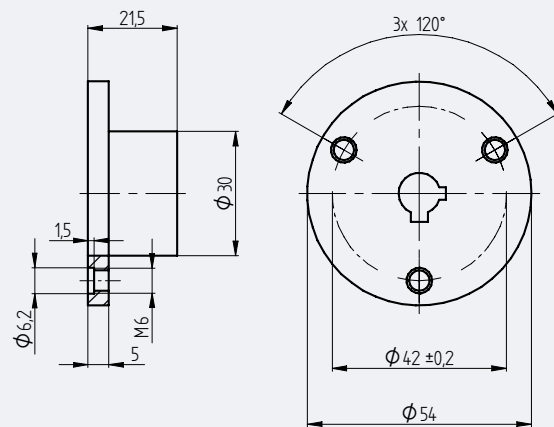
Revision number: 3.1.4.18-01

Revision date: 19.11.2019

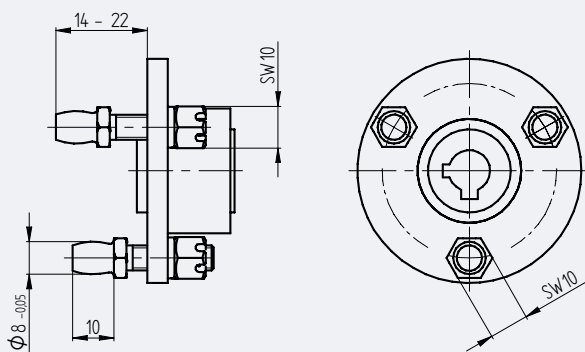
F, flexible



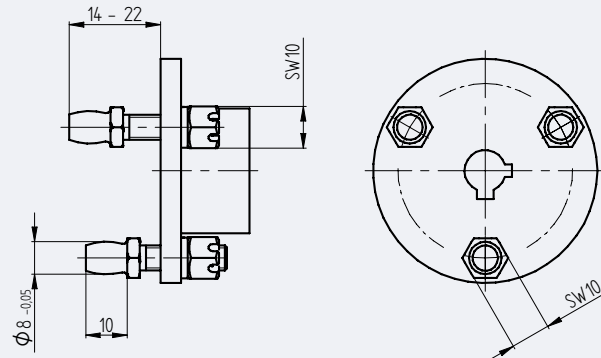
F, non-flexible



F+M, flexible



F+M, non-flexible








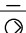
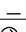

Flange	Type	Operating speed	Torsion angle (with a torque of 5 Nm)	Comment
F	flexible	$n_{\max} = 1000$ rpm	$5 \pm 0.5^\circ$	not for HHEV
F	non-flexible	$n_{\max} = 1000$ rpm	$0^\circ$	not for HHEV
F+M	flexible	$n_{\max} = 1000$ rpm	$5 \pm 0.5^\circ$	not for HHEV
F+M	non-flexible	$n_{\max} = 1000$ rpm	$0^\circ$	not for HHEV

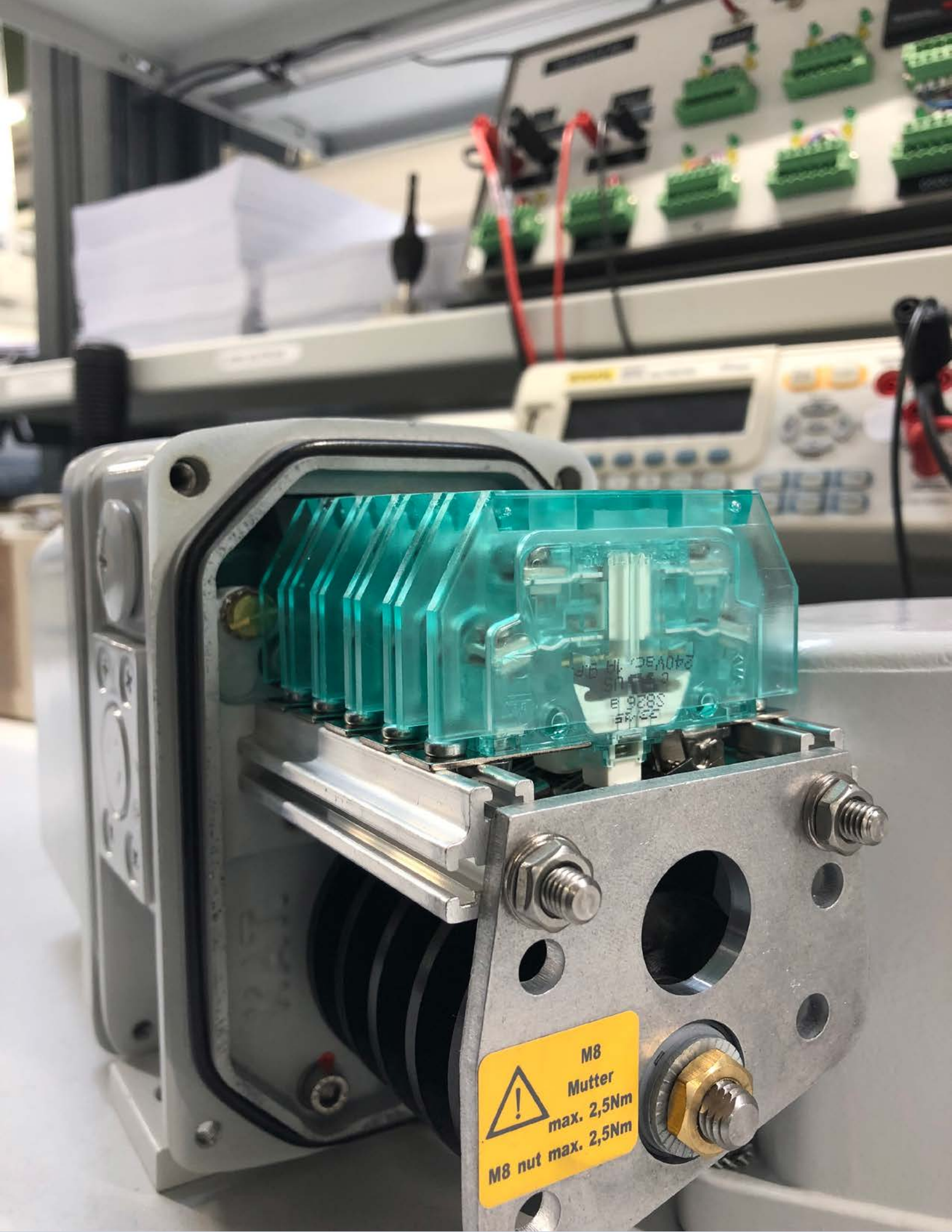
### Series HGE, HEG, HHEV – Key of Types

Revision number: 3.1.4.19-01

Revision date: 19.11.2019

<b>Stromag GmbH</b> Hansastr.120. 59425 Unna Tel.+49(0)2303102-0 Made in Germany		
<b>Getriebeendschalter</b> Typ: 155_HGE_590_BFV70_A1R_G Auftr.Nr.: Ref-Nr.:		
<b>Baujahr</b>		

HGE, HEG or HHEV			
155	nominal revolutions	HGE	9.5, 18, 22, 29, 35, 70, 85, 100, 115, 155, 180, 230, 260, 305, 345, 460, 715
		HEG	0.15, 0.2, 0.28, 0.38, 0.39, 0.4, 0.5, 0.6, 0.65, 1, 1.05, 1.1, 1.4, 1.5, 1.9, 2, 2.5, 3.5, 6
		HHEV	0
HGE	Switch type	HGE	Worm Gear Limit Switch HGE
		HEG	Spur Gear Limit Switch HEG
		HHEV	Lever Limit Switch Series HHEV
5	Number of contacts fitted	HGE	1 to 8 contacts
		HEG	1 to 8 contacts
		HHEV	1 to 16 contacts
90	Type of switching contact	51	Contact (changeover) with screw connections, contact material: Gold
		52	Contact (changeover) with screw connections, contact material: Gold 
		53	Contact (push action) with screw connections, contact material: Gold 
		54	Contact (push action) with screw connections, contact material: Silver 
		80	Contact (changeover) with screw connections, contact material: Silver 
		81	Contact (push action) with screw connections, contact material: Silver 
		90	Contact (changeover) with screw connections, contact material: Silver 
		90G	Contact (changeover) with screw connections, contact material: Gold 
		88	Contact (double action) with screw connections, contact material: Gold 
BFV70	Type of built-in cam discs	FV50	Synthetic Material, precisely adjustable, diameter 50mm
		DFV50	Synthetic Material, double cams, precisely adjustable, diameter 50mm
		DV50	Brass, precisely adjustable, diameter 50mm
		FV70	Synthetic Material, precisely adjustable, diameter 70mm
		BFV70	Synthetic Material, block adjustment, precisely adjustable, diameter 70mm
A1R	Size contact space	A1	1 to 5 contacts
		A2	1 to 8 contacts
		A1R	1 to 5 contacts, right
		A2R	1 to 8 contacts, right
		A1L	1 to 5 contacts, left
		A2L	1 to 8 contacts, left
		B11	1 to 5 contacts, both sides
		B22	1 to 8 contacts, both sides
		B12	1 to 5 contacts, left / 1 to 8 contacts, right
B21	1 to 8 contacts, left / 1 to 5 contacts, right		
G	Additional components	G	with encoder / sensor
		P	with potentiometer



 M8  
Mutter  
max. 2,5Nm  
M8 nut max. 2,5Nm



# Premier Industrial Company Leading Brands



## OTHER PRODUCT SOLUTIONS FROM ALTRA MOTION

Our comprehensive product offerings include various types of clutches and brakes, overrunning clutches, engineered bearing assemblies, gearing and gear motors along with linear motion products, belted drives, couplings, limit switches, precision motors, drives & controls, miniature motors and engine braking systems. With thousands of product solutions available, Altra provides true single source convenience while meeting specific customer requirements. Many major OEMs and end users prefer Altra products as their No. 1 choice for performance and reliability.

[WWW.ALTRAMOTION.COM](http://WWW.ALTRAMOTION.COM)



### Electric Clutches & Brakes

Inertia Dynamics  
Matrix  
Stromag  
Warner Electric



### Precision Motors & Automation

Kollmorgen



### Heavy Duty Clutches & Brakes

Industrial Clutch  
Stromag  
Svendborg Brakes  
Twiflex  
Wichita Clutch



### Miniature Motors

Portescap



### Overrunning Clutches

Formsprag Clutch  
Marland Clutch  
Stieber



### Linear Systems

Thomson



### Engineered Couplings & Universal Joints

Ameridrives  
Bibby Turboflex  
Guardian Couplings  
Huco  
Lamiflex Couplings  
Stromag  
TB Wood's



### Engine Braking Systems

Jacobs Vehicle Systems



### Gear Drives & Gear Motors

Bauer Gear Motor  
Boston Gear  
Delroyd Worm Gear  
Nuttall Gear



### Specialty Components

Kilian  
Stromag  
TB Wood's