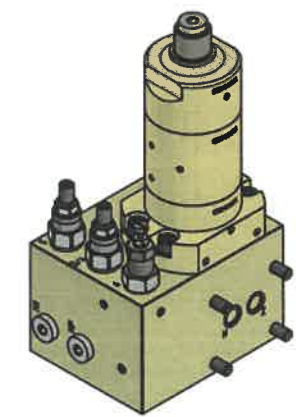
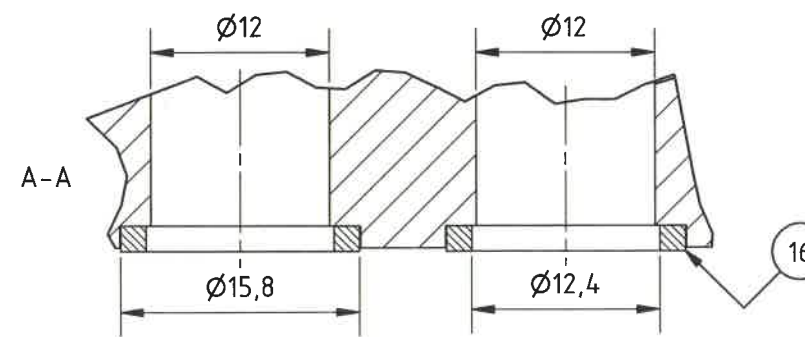
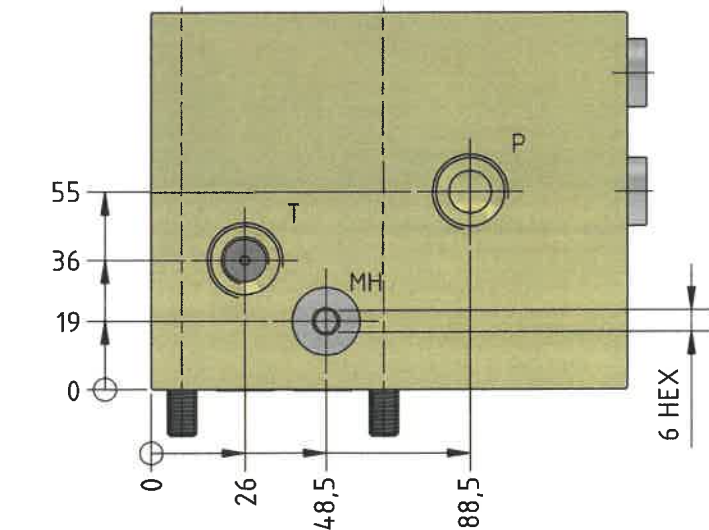


Max. outlet pressure: 500 bar
Max. bypass flow 100 l/min.



(1:5)

PARTS LIST			
ITEM	QTY	PART NUMBER	DESCRIPTION
1	1	HC2D-_-_-_-D	Hydraulic Booster, dual
2	1	3-028	Manifold
4	1	W-SP11A-30CL	Sequence Valve (10.5-420 bar)
5	1	W-PB11A-30AL	Pressure Reducing Valve (7-210 bar)
6	1	CMV 1B 500	Relief Valve (0-500 bar)
16	2	3-610	K.S.BU7 12,42x15,78x1,68 NBR90
100	4	2D-614	Bolt M8x110 12,9 DIN 912

Port connections:
P & T: 1/2" BSPP
H & Z: Section view A-A
M: 1/4" BSPP

Material		Issue	Material Code No.
Changes Valves changed. Label added.		Date 07-04-2016	Name BP
Former drawing / type No. M-HC2D-013-FK-_-_-		05-03-2021	L.H.
Former drawing No.: M-HC2D-013-FK55-02		18-05-2021	L.H.
			HV
Designer	Leif Hansen	Scale 1:2	M-HC2D-013-FK100
Approved by	<i>[Signature]</i>	Format A3	Intensifier System
Date	23-12-2014		Assembly Drawing
			Confidential: Property of miniBOOSTER HYDRAULICS A/S Denmark Not to be handed over to, copied or used by third party.
			Drawing No.: M-HC2D-013-FK100-03