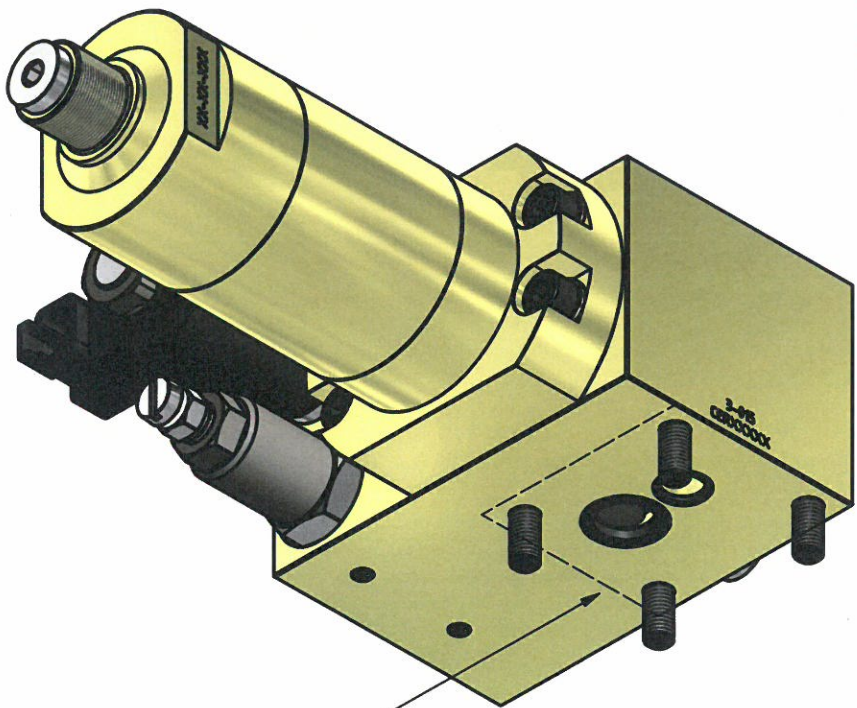


Port connections:
P & T: 1/2" BSP
M: 1/4" BSP

PARTS LIST			
ITEM	QTY	PART NUMBER	DESCRIPTION
1	1	HC2D-_-_-A-D	miniBOOSTER
2	1	3-015	Manifold
3	1	SV10-23-04	Solenoid Directional Valve
6	1	MVE 4 A	Relief Valve (0-700 bar)
100	4	2DW-614	Bolt M8x80 DIN 912 A4-80



Notes on cylinder Interface:

- Interface dimension drawing: HV-399-02
- Connecting bolts: 4x M8 x 80 - DIN 912 / 12.9
- Washers: 4x DIN 433 (8,4X15,0X1,6)
- Torque: 35 Nm (use locktite)
- Sealing surface must be clean.

Otherwise no special requirements on installation.

Material		Issue	Material Code No.
Changes		Date	Name
			Finish
			Break all edges
			Hardening depth
			HV
Designer	Brian Petersen	Scale	M-HC2D-010-FL
Approved by	<i>[Signature]</i>	Format	Intensifier System
Date	08-05-2014	Format	Assembly Drawing
			Confidential: Property of miniBOOSTER HYDRAULICS A/S Denmark. Not to be handed over to, copied or used by third party.
			miniBOOSTER HYDRAULICS A/S
			Drawing No.: M-HC2D-010-FL-00