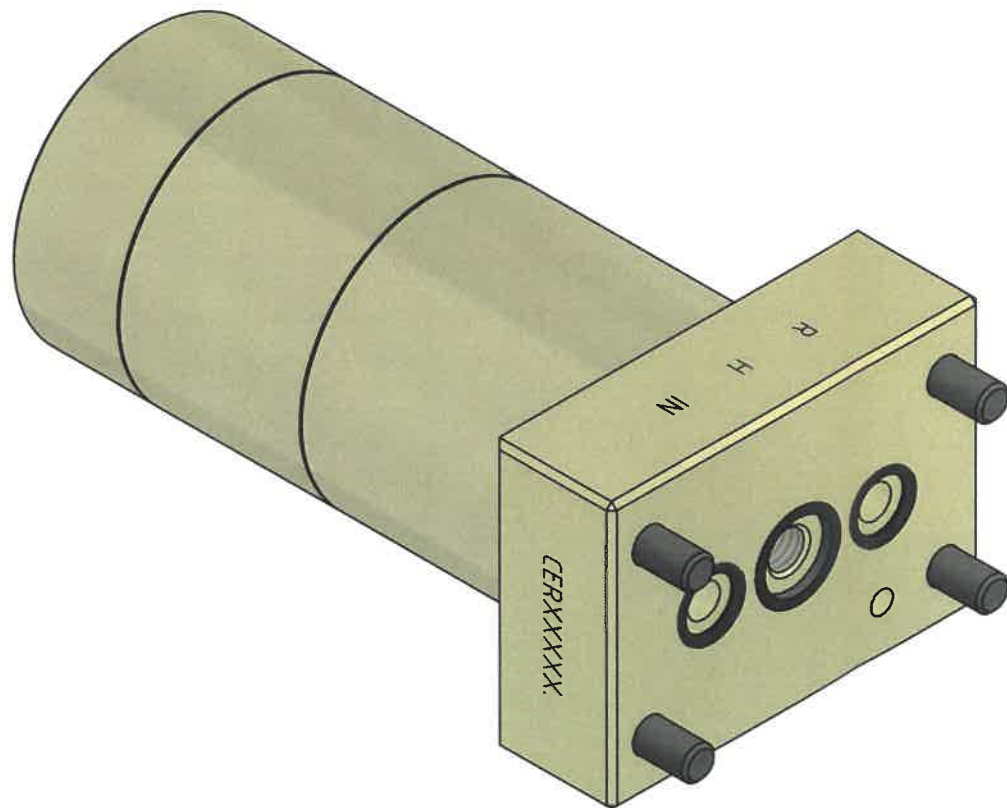
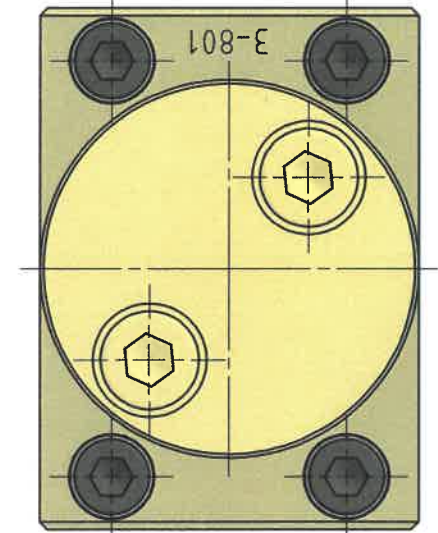
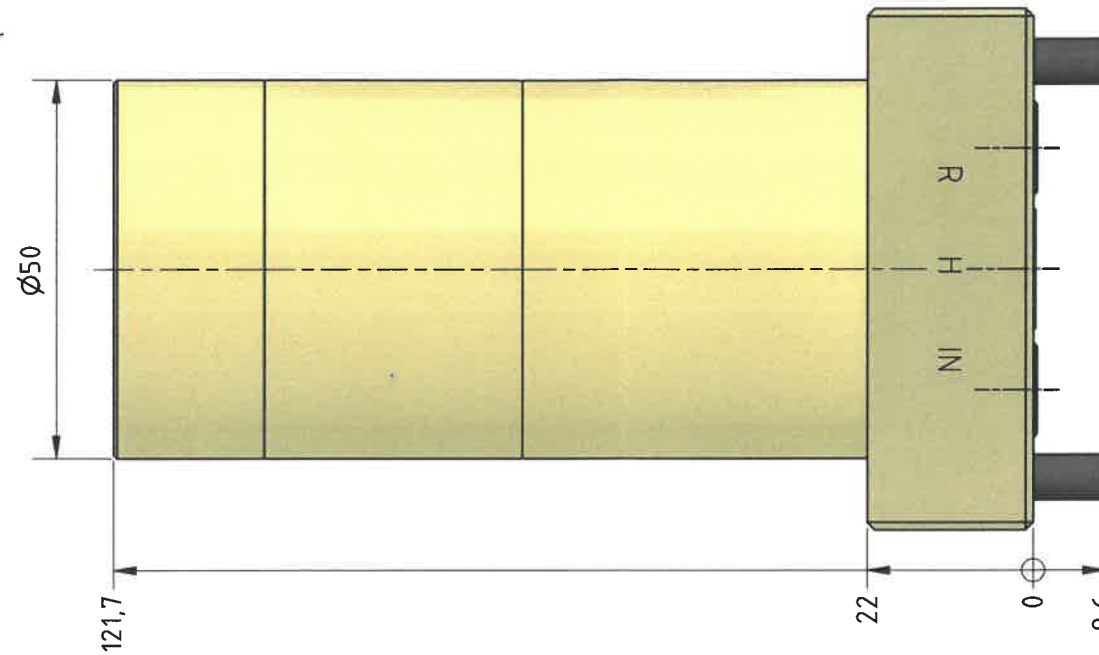
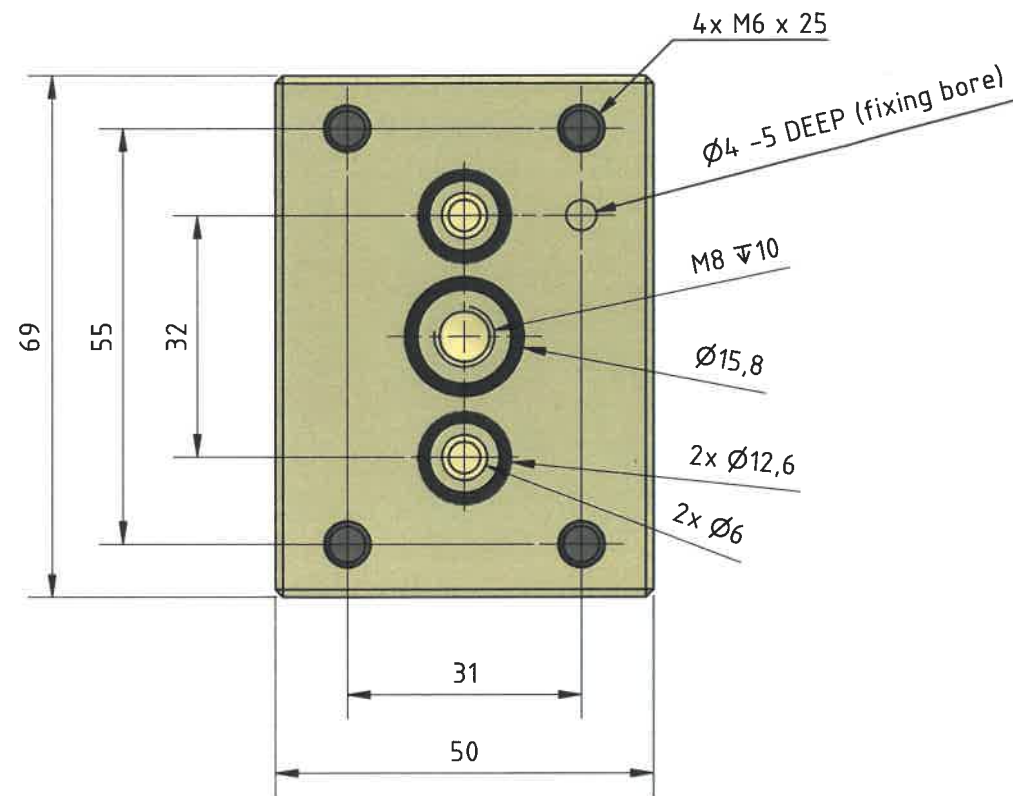


Consumer connections:

IN, R & H: Max. $\phi 6$



Function Diagram: 3-143-__

Material		Issue	Material Code No.
Changes P, HP & T to IN, H & R		Date 07.10.2011	Name L.H. Finish
New issue		21.01.2014	L.H. Break all edges
Drawing renewed with 3D-model		23.05.2016	B.P. Hardening depth
Consumer connections added		13.06.2017	B.P. HV
IN & R O-ring connections increased to $\phi 12,6$		29.05.2019	L.H.
Designer	Leif Hansen	Scale 1 : 1	Confidential: Property of miniBOOSTER HYDRAULICS A/S Denmark Not to be handed over to, copied or used by third party.
Approved by	<i>Leif Hansen</i>	Format A3	
Date	27.01.03		
		HC3-__-__-D	
		Hydraulic Booster	
		Assembly Drawing	Drawing No.: 3-131-09